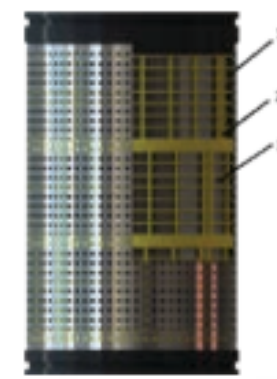
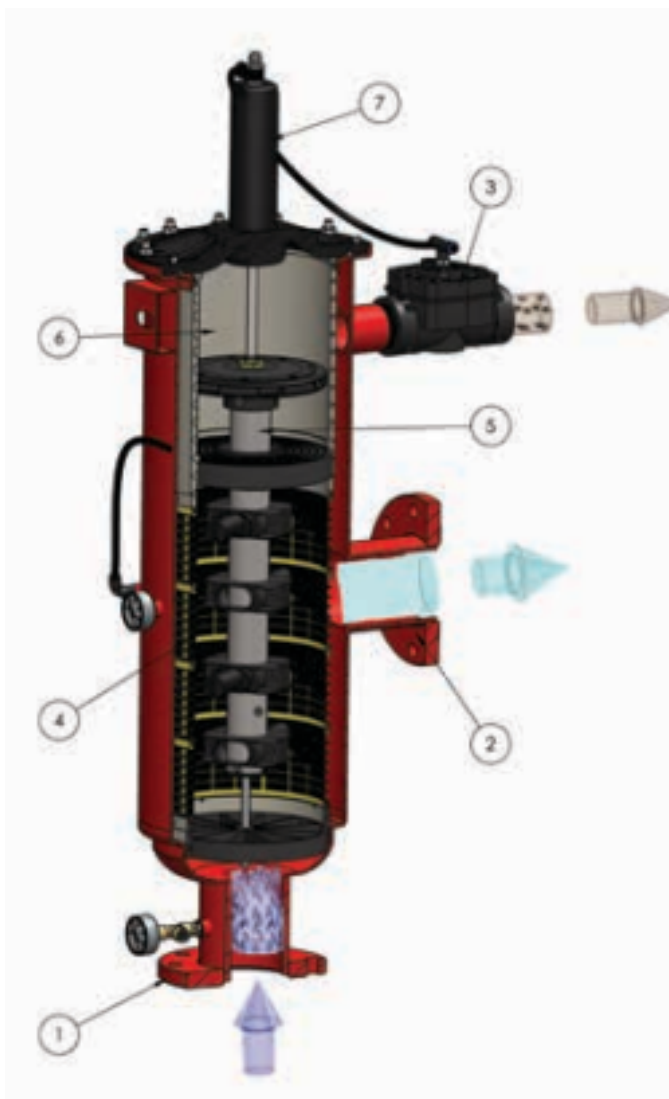
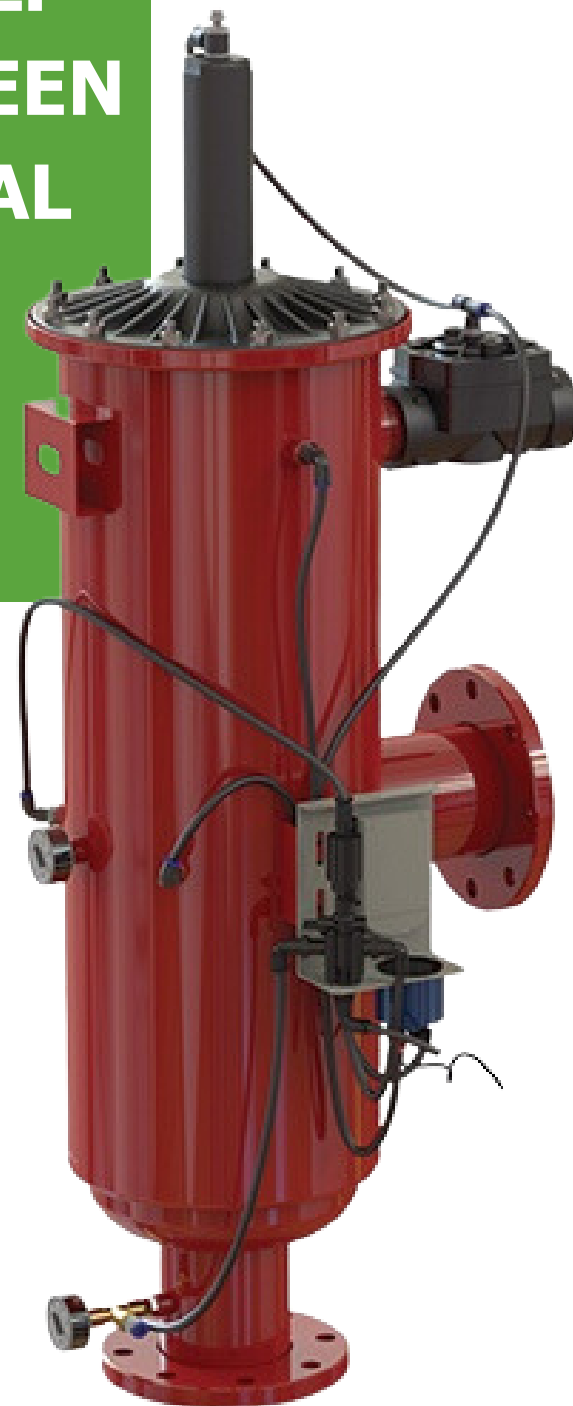
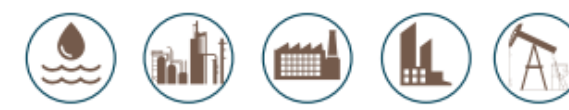
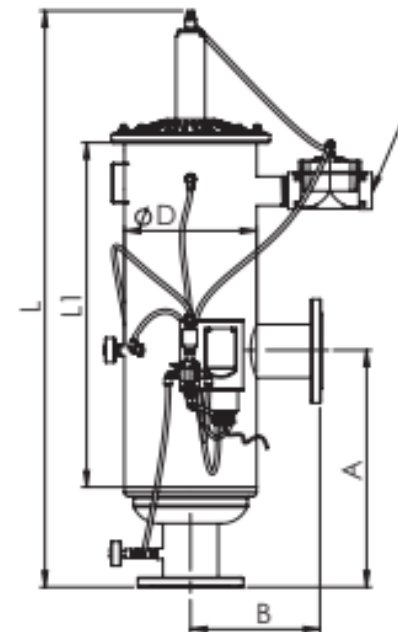


# Product Catalogue

**AUTOMATIC SELF  
CLEANING SCREEN  
FILTER VERTICAL**



1 - Protector coarse screen SS304L  
2 - Molded plastic rib (PA6)  
3 - The main filtering screen



Inlet/Outlet		A	B	L1	L	D	F	Drain Flow Rate		Main Flow Rate		Filtration Area
inch	DN	mm				inch		L/S	Usgpm	m <sup>3</sup> /h	Usgpm	cm <sup>2</sup>
2	50	465	270	515	965	10	1 ½	3,3	53	30	132	1317
2	50	515	270	615	1065	10	1 ½	5	79	45	198	1975
2½	65	465	270	515	965	10	1 ½	3,3	53	40	176	1317
2½	65	515	270	615	1065	10	1 ½	5	79	50	220	1975
3	80	465	270	515	965	10	1 ½	3,3	53	55	242	1317
3	80	515	270	615	1065	10	1 ½	5	79	70	308	1975
4	100	515	270	615	1065	10	1 ½	5	79	100	440	1975
4	100	565	270	715	1165	10	2	6,7	105	120	528	2634
4	100	855	287	1120	1725	10	2	5	79	140	616	3951
5	125	855	287	1120	1725	10	2	5	79	150	660	3951
5	125	955	287	1320	1925	10	2	6,7	105	160	704	5268
6	150	955	287	1320	1925	10	2	6,7	105	180	792	5268

\*The rates above are calculated for a filtration degree of 130 microns.

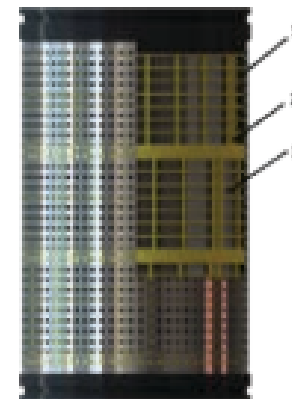
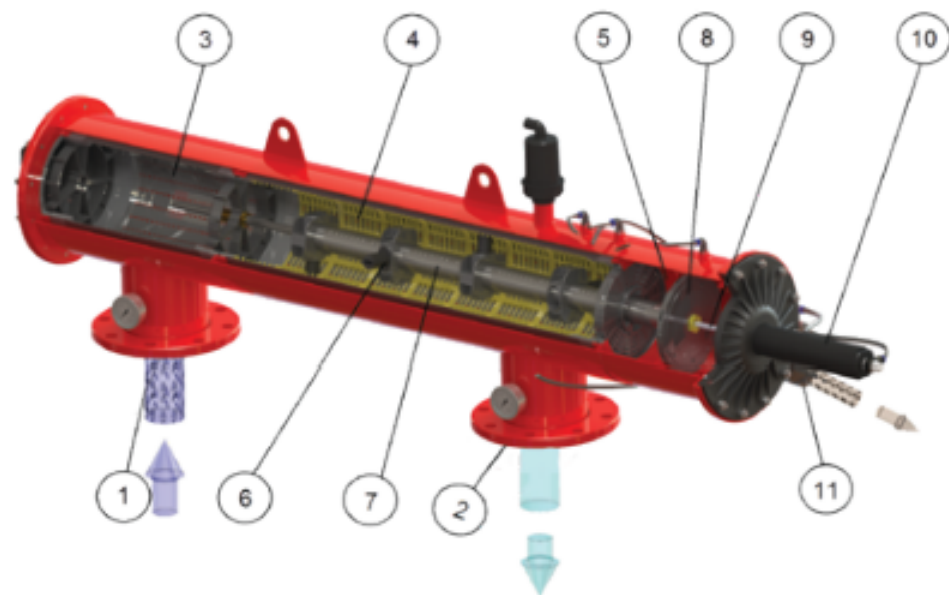
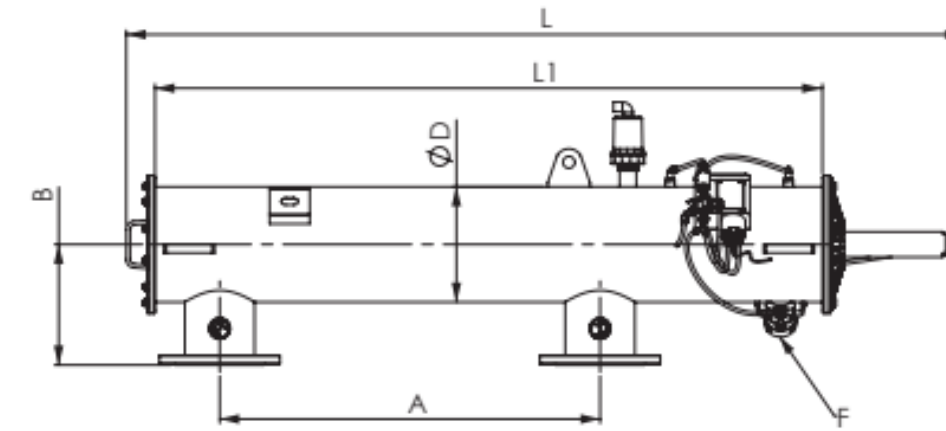
**Working principle**

Filter sections: 1- Dirty water inlet, 2-Clean water outlet, 3- Backwash dirty water outlet drainage, 4-Sieve internal kit (multilayer), 5- Collector kit (backwash water vacuuming channel ), 6-Turbine chamber. Water enters the filter and passes through a multi-layer filter, then passes coarse sieve. Water continues to flow from fine filter to exit, creating a layer of pollution on the inner surface of the filter and this pollution creates pressure difference at inlet and outlet of the filter. Backwash begins when this pressure difference comes at a predetermined level. A specified pressure difference is reached, the backwash control unit opens the discharge valve. Atmospheric pressure in the discharge pipe creates a strong backwash. This flow returns the cleaning collector through the hydraulic turbine and drainage pipe after vacuuming the pollution in the inner surface of the filter by creating a vacuum effect at nozzles. Pressure decrease consists in the turbine part and piston drainage provides a linear motion to the cleaning collector. This rotation and linear motion provides absorption of the pollution layer in the inner surface of the filter by nozzles. When the process is completed, the cleaning collector automatically makes a second backwash and returns to its original position, so the washing process is completed. During backwash filtering process continues. For efficient work of the system, during the backwash process inlet pressure must not be less than 2 Bar (29PSI).

**GENERAL CHARACTERISTICS**

- Body Material: S195T / SS 316L / SS 304 L
- Screen Material: SS 304L, PA6GFR30
- Maximum Working Pressure : 10 Bar (145 PSI)
- Minimum Working Pressure: 2 Bar (29 PSI)
- Maximum Working Temperature: 60 °C (140 °F)
- Back Flush Operation Criteria: Time and / or Pressure Differential
- Back Flush Controlling Unit: Electronic (AC/DC ) Control
- Filtration Degree: 20-2000 micron (μ)
- Painting Method: Electrostratic Powder Coating
- Painting Material: Epoxy Polyester

**AUTOMATIC SELF  
CLEANING SCREEN  
FILTER  
HORIZONTAL**



1 - Protector coarse screen SS304L  
2 - Molded plastic rib (PA6)  
3 - The main filtering screen

Inlet/Outlet		A	B	L1	L	D	F	Drain Flow Rate		Main Flow Rate		Filtration Area
inch	DN	mm				inch		L/S	gal (US)/min	m <sup>3</sup> /h	gal (US)/min	cm <sup>2</sup>
4	100	500	287	1070	1475	10	2	3,3	53	120	528	2634
4	100	600	287	1270	1675	10	2	5	79	140	616	3951
5	125	600	287	1270	1675	10	2	5	79	150	660	3951
5	125	900	287	1580	1985	10	2	6,7	105	160	704	5268
6	150	900	287	1580	1985	10	2	6,7	105	180	792	5268
6	150	1100	312	1972	2375	12	2	10	158	220	968	7902
8	200	1100	312	1972	2375	12	2	10	158	320	1408	7902
10	250	1100	312	1972	2375	12	2	10	158	380	1672	7902

\*The rates above are calculated for a filtration degree of 130 microns.

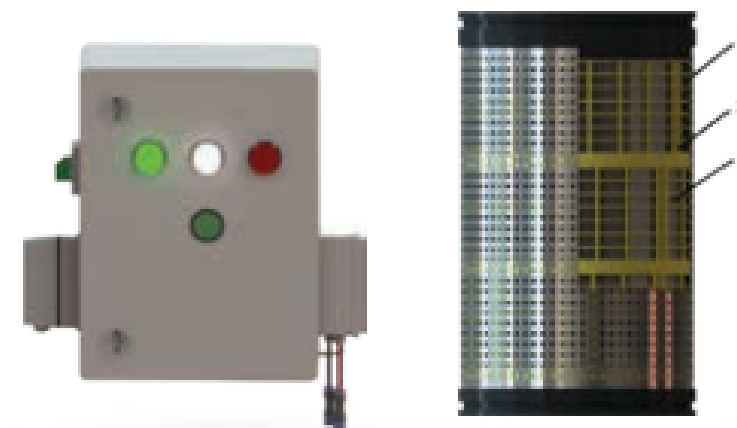
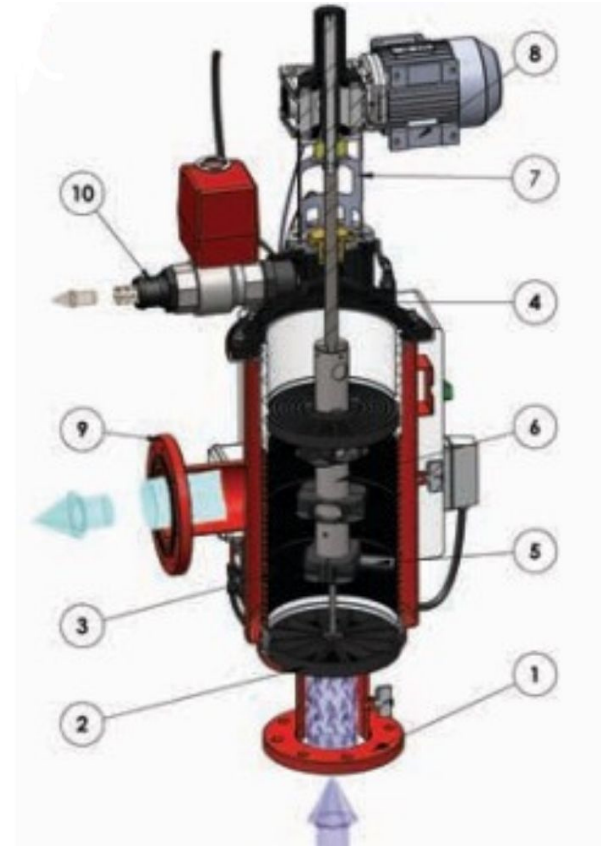
**Working principle**

Water enters the filter (1) and passes through a multi-layer filter, then passes coarse sieve (3). Water continues to flow from fine filter to exit (2), creating a layer of pollution on the inner surface of the filter and this pollution creates pressure difference at inlet and outlet of the filter. Backwash begins when this pressure difference comes at a predetermined level. When a specified pressure difference is reached, the backwash control unit opens the discharge valve (9). Atmospheric pressure in the discharge pipe creates a strong backwash. This flow returns the cleaning collector through cleaning collector (7), hydraulic turbine (8) and drainage pipe after vacuuming the pollution in the inner surface of filter by creating a vacuum effect at nozzles (6). Pressure decreases which occurs at hydraulic turbine (5) and drainage of the piston (10), provides a linear motion to the cleaning collector. This rotation and linear motion provides absorption of the pollution layer in the inner surface of the filter by nozzles. When the process is completed, the cleaning collector automatically makes a second backwash and returns to its original position, so the washing process is completed. During backwash filtering process continues. For efficient work of the system, during the backwash process inlet pressure must not be less than 2 Bar (29PSI).

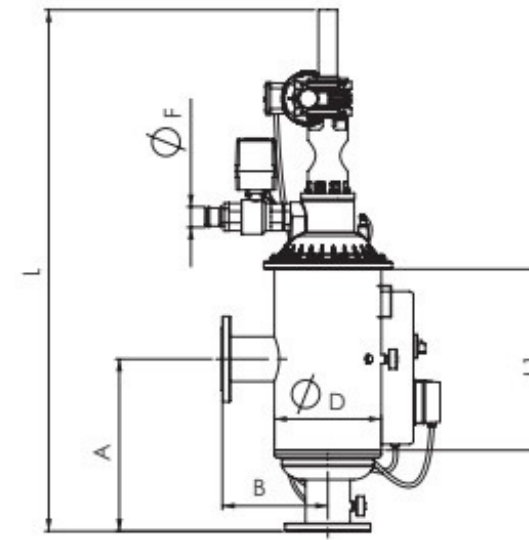
**GENERAL CHARACTERISTICS**

Body Material: S195T / SS 316L / SS 304 L  
Screen Material: SS 304L, PA6GFR30  
Maximum Working Pressure : 10 Bar (145 PSI)  
Minimum Working Pressure: 2 Bar (29 PSI)  
Maximum Working Temperature: 60 °C (140 °F)  
Back Flush Operation Criteria: Time and / or Pressure Differential  
Back Flush Controlling Unit: Electronic (AC/DC )  
Control Filtration Degree: 20-2000 micron (μ)  
Painting Method: Electrostratic Powder Coating  
Painting Material: Epoxy Polyester

**AUTOMATIC SELF  
CLEANING SCREEN  
FILTER - MOTOR  
REDUCER  
VERTICAL**



1 - Protector coarse screen SS304L  
2 - Molded plastic rib (PA6)  
3 - The main filtering screen



Inlet/Outlet		A	B	L1	L	D	F	Drain Flow Rate		Main Flow Rate		Filtration Area
inch	DN	mm				inch		L/S	gal (US)/min	m <sup>3</sup> /h	gal (US)/min	cm <sup>2</sup>
2	50	310	270	240	1110	10	2	1,7	26	30	132	658
2½	65	310	270	240	1110	10	2	1,7	26	40	176	658
2	50	390	270	365	1235	10	2	3,3	53	40	176	1317
2½	65	390	270	365	1235	10	2	3,3	53	50	220	1317
3	80	390	270	365	1235	10	2	3,3	53	55	242	1317
3	80	440	270	465	1335	10	2	5	79	70	308	1975
4	100	440	270	465	1335	10	2	5	79	100	440	1975
4	100	490	270	565	1435	10	2	3,3	53	120	528	2634
5	125	590	287	765	1710	10	2	5	79	150	660	3951
5	125	840	287	1015	1960	10	2	5	79	180	792	5268
6	150	840	287	1015	1960	10	2	5	79	180	792	5268

\*The rates above are calculated for a filtration degree of 130 microns.

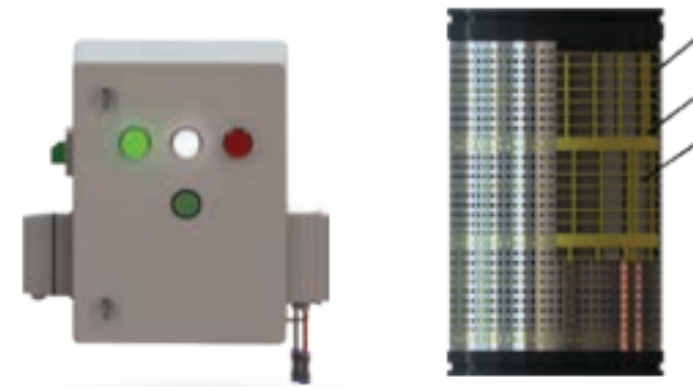
**GENERAL CHARACTERISTICS**

Body Material: S195T / SS 316L / SS 304 L  
 Screen Material: SS 304L, PA6GFR30  
 Maximum Working Pressure: 10 Bar (145 PSI) Minimum Working Pressure: 1 Bar (15 PSI) Maximum Working Temperature : 60 °C (140 °F) Back Flush Operation Criteria: Time and / or Pressure Differential  
 Back Flush Controlling Unit : Electronic (AC) Control Filtration Degree: 20-2000 micron (µ) Painting Method: Electrostratic Powder Coating  
 Painting Material: Epoxy Polyester

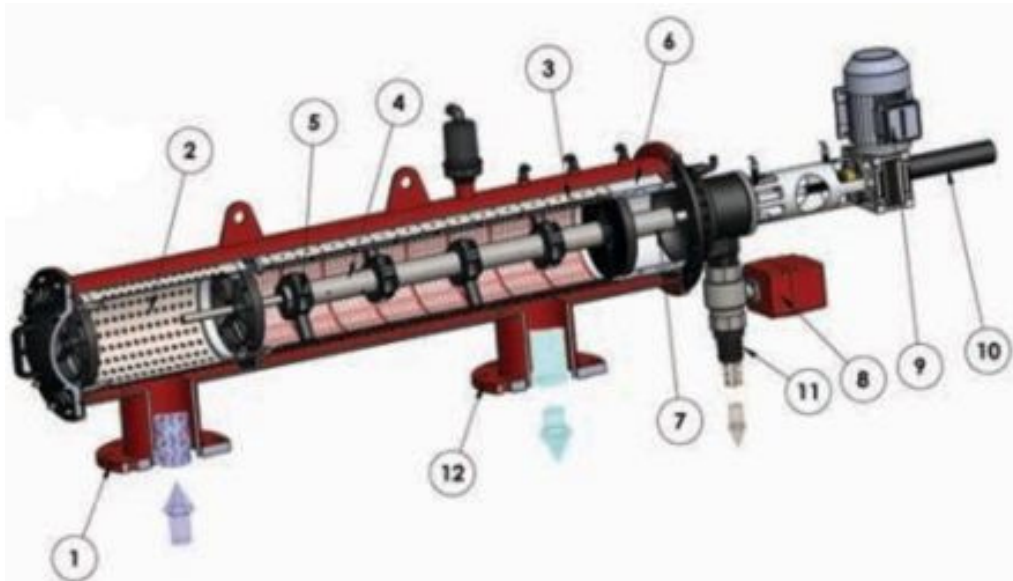
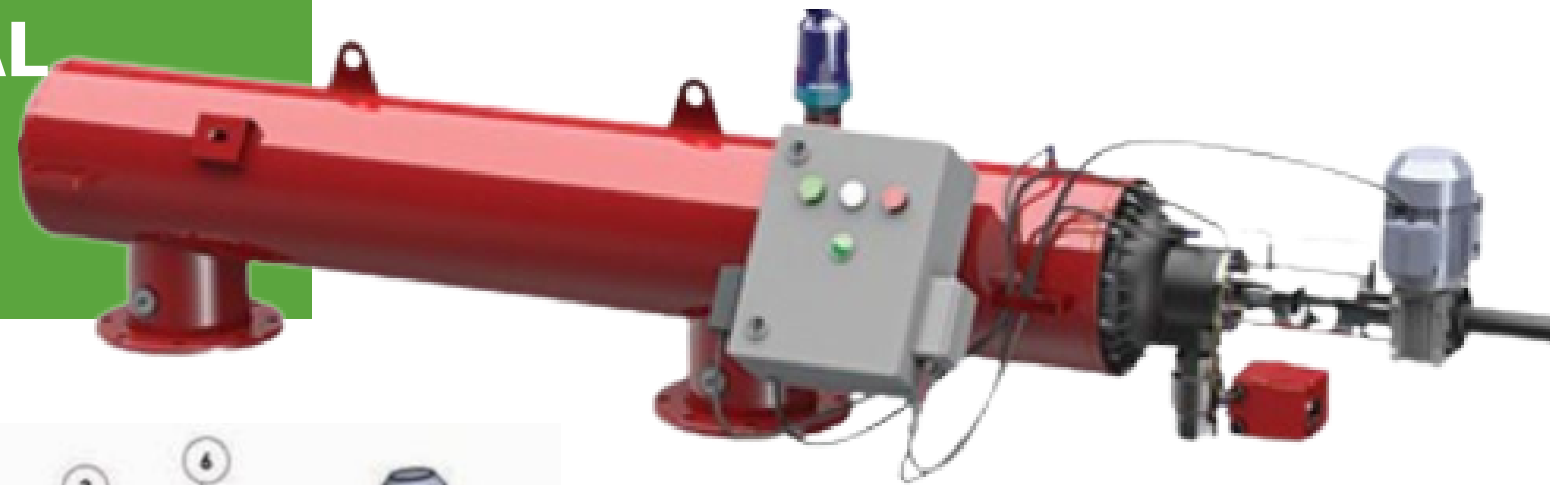
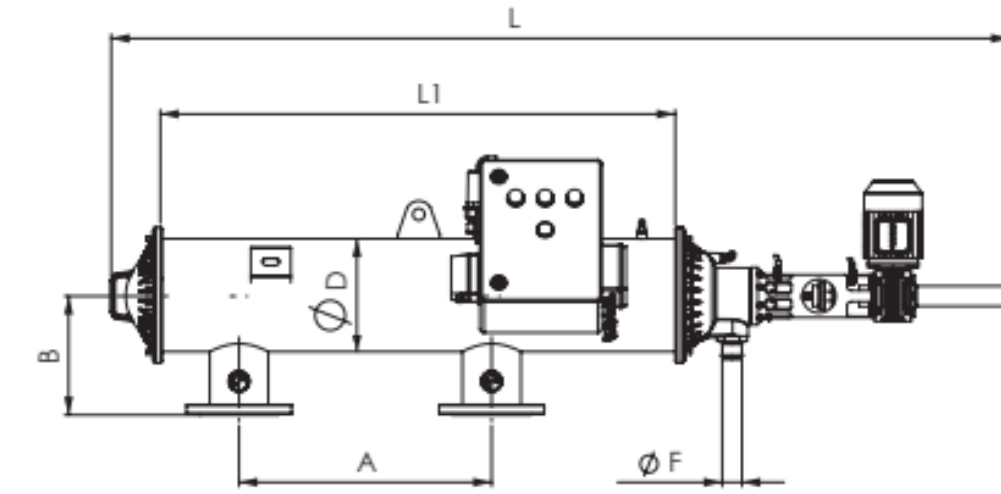
**Working principle**

The suspensive solid matters available in the dirty water and liquids come into the coarse screen (2) passing through (1) the inlet collector and then into the multi-layer fine screen. The solid matters are kept into the (3) fine screen, the clean water which flows out of the multi-layer screen is served up to use through the (9) outlet collector. At the end of this continuous process, a solid matter layer will form in the multi-layer screen. Hence, a pressure difference is created naturally between the inlet collector and outlet collector. The signals created by this pressure difference vacuum the solid matters which are accumulated on the interior membrane of the multi-layer fine filter by programming via (11) electronic controller. Vacuuming process-electronic: The lid covering the drainage outlet is opened by means of a signal sent to the solenoid valve detecting the pressure by DP in the electronic controller (11). A current is formed towards the atmosphere pressure in the filter following the Solenoid valve (12) opening and controller (10) driving the motor (8), with this vacuum pipe and therefore moving the nozzles with linear and rotary motion, solid matters on the interior membrane of the multi-layer filter are thrown out by vacuuming .

**AUTOMATIC SELF  
CLEANING SCREEN  
FILTER, MOTOR  
REDUCER  
HORIZONTAL**



1 - Protector coarse screen SS304L  
2 - Molded plastic rib (PA6)  
3 - The main filtering screen



Inlet/Outlet		A	B	L1	L	D	F	Drain Flow Rate		Main Flow Rate		Filtration Area
inch	DN	mm			inch		L/S	Usgpm	m <sup>3</sup> /h	Usgpm	cm <sup>2</sup>	
4	100	500	287	920	1770	10	2	3,3	53	120	528	2634
4	100	600	287	1120	1970	10	2	5	79	140	616	3951
5	125	600	287	1120	1970	10	2	5	79	150	660	3951
5	125	900	287	1430	2285	10	2	6,7	105	160	704	5268
6	150	900	287	1430	2285	10	2	6,7	105	180	792	5268
6	150	1100	312	1972	2825	12	2	10	158	220	968	7902
8	200	1100	312	1972	2825	12	2	10	158	320	1408	7902
10	250	1100	312	1972	2825	12	2	10	158	380	1672	7902

\*The rates above are calculated for a filtration degree of 130 microns.

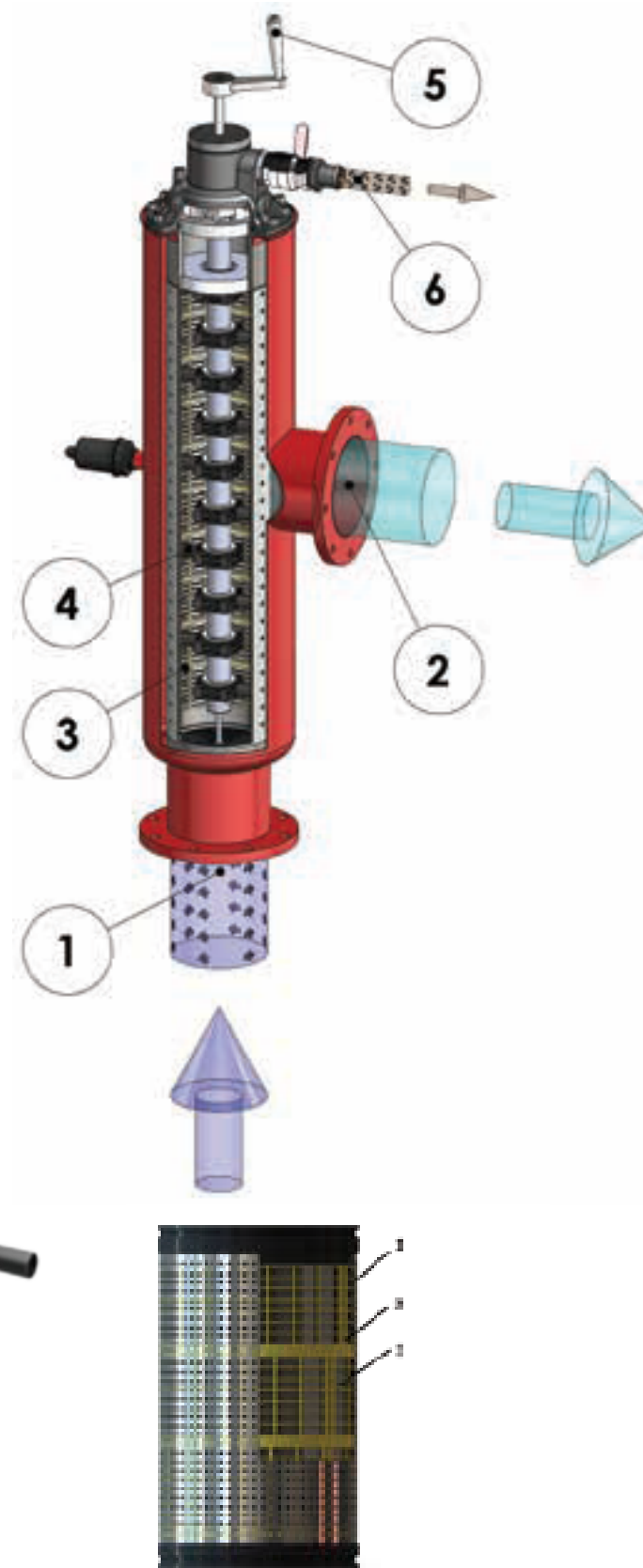
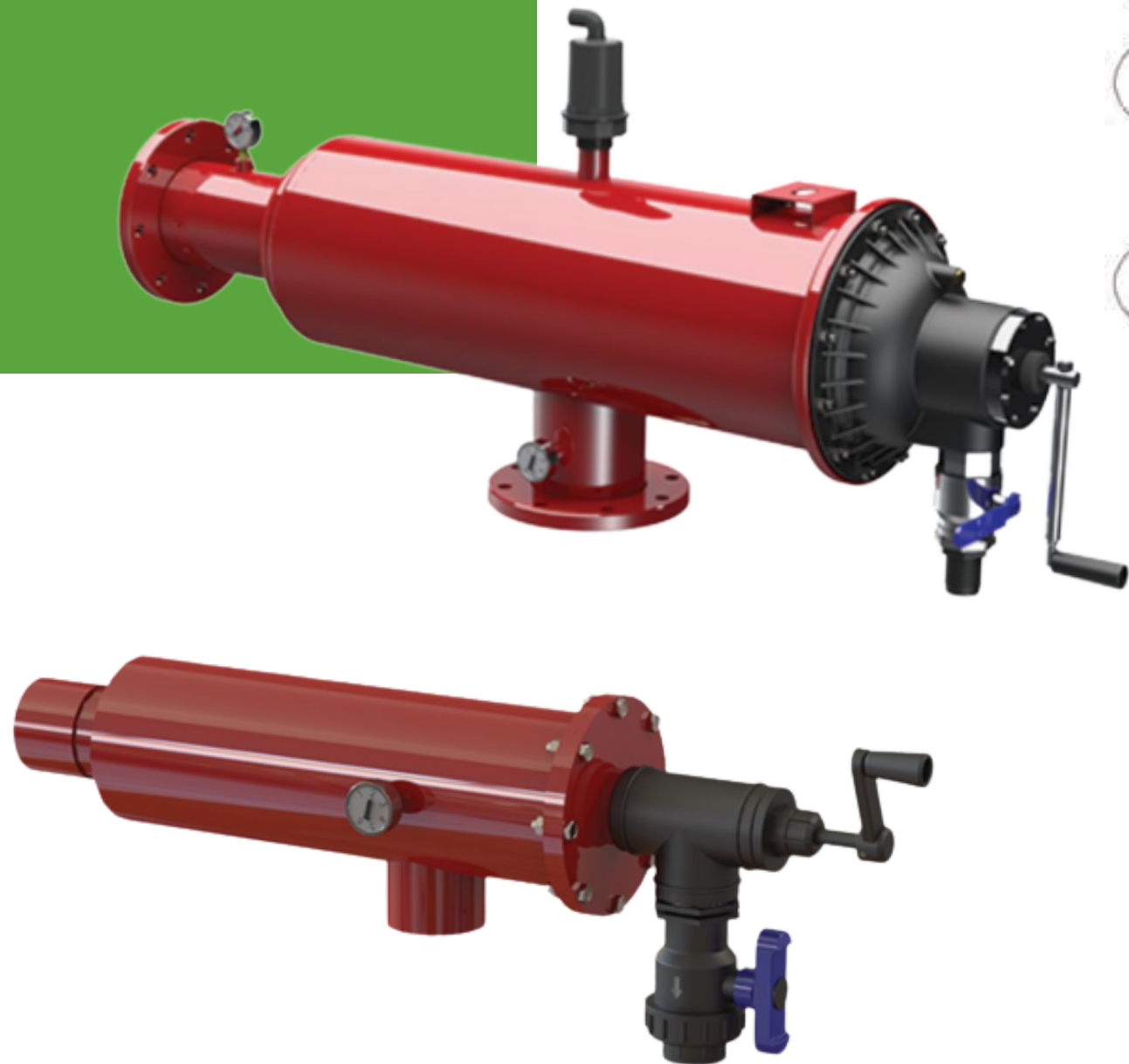
**GENERAL CHARACTERISTICS**

- Body Material: S195T / SS 316L / SS 304 L
- Screen Material: SS 304L, PA6GFR30
- Maximum Working Pressure: 10 Bar (145 PSI) Minimum Working Pressure: 1 Bar (15 PSI)
- Maximum Working Temperature : 60 °C (140 °F) Back Flush
- Operation Criteria: Time and / or Pressure Differential
- Back Flush Controlling Unit : Electronic (AC) Control Filtration
- Degree: 20-2000 micron (μ)
- Painting Method: Electrostratic Powder Coating
- Painting Material: Epoxy Polyester

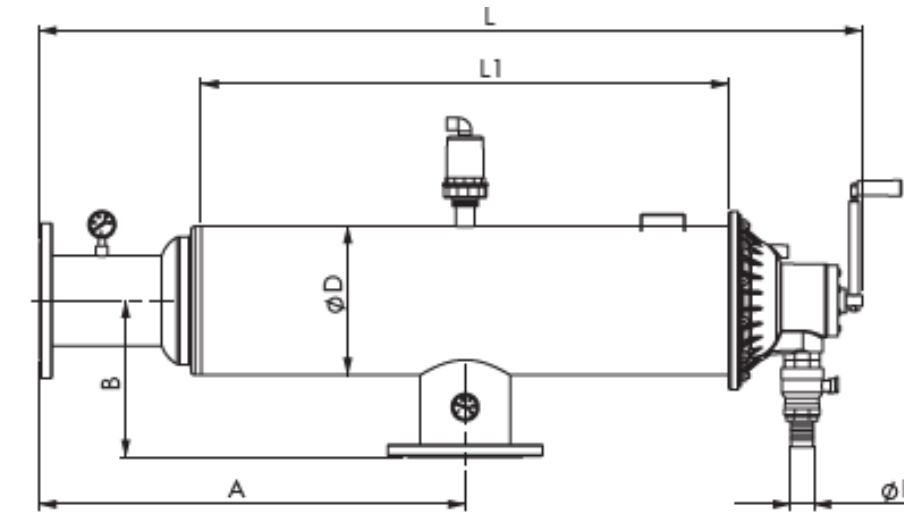
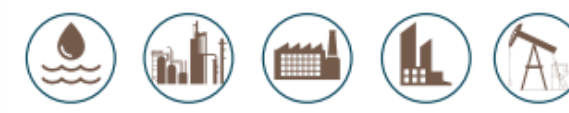
**Working principle**

The suspensive solid matters available in the dirty water and liquids come into the coarse screen (2) passing through (1) the inlet collector and then into the multi-layer fine screen. The solid matters are kept into the (3) fine screen, the clean water which flows out of the multi-layer screen is served up to use through the (12) outlet collector. At the end of this continuous process, a solid matter layer will form in the multi-layer screen. Hence, a pressure difference is created naturally between the inlet collector and outlet collector. The signals created by this pressure difference vacuum the solid matters which are accumulated on the interior membrane of the multi-layer fine filter by programming via electronic vacuuming process-electronic: The lid covering the drainage outlet is opened by means of a signal sent to the solenoid valve detecting the pressure by DP in the electronic controller (13). A current is formed towards the atmosphere pressure in the filter following the Solenoid valve (8) opening. The controller (11) drives the motor (9), at the same time, and therefore solid matters on the interior membrane of the multi-layer filter are thrown out moving the vacuuming pipe and therefore the nozzles with linear and rotary motion by vacuuming.

## SEMI-AUTOMATIC SCREEN FILTER



1 - Protector coarse screen SS304L  
2 - Molded plastic rib (PA6)  
3 - The main filtering screen



Inlet/Outlet		A	B	L1	L	D	F	Drain Flow Rate		Main Flow Rate		Filtration Area
inch	DN	mm			inch			L/S	Usgpm	m <sup>3</sup> /h	Usgpm	cm <sup>2</sup>
2	50	320	145	400	750	6	1 1/2	2,5	40	30	132	1140
2½	65	320	145	400	750	6	1 1/2	2,5	40	35	154	1140
3	80	450	145	515	880	6	1 1/2	3,3	52	45	198	1520
4	100	585	180	635	1005	8	1 1/2	4,2	66	70	308	1900
5	125	680	287	770	1315	10	2	5,0	79	150	660	3951
6	150	780	287	970	1515	10	2	6,7	105	180	792	5268
6	150	985	312	1385	1930	12	2	10,0	158	220	968	7902
8	200	870	312	1150	1695	12	2	8,3	132	320	1408	6585
8	200	985	312	1385	1930	12	2	10,0	158	340	1496	7902

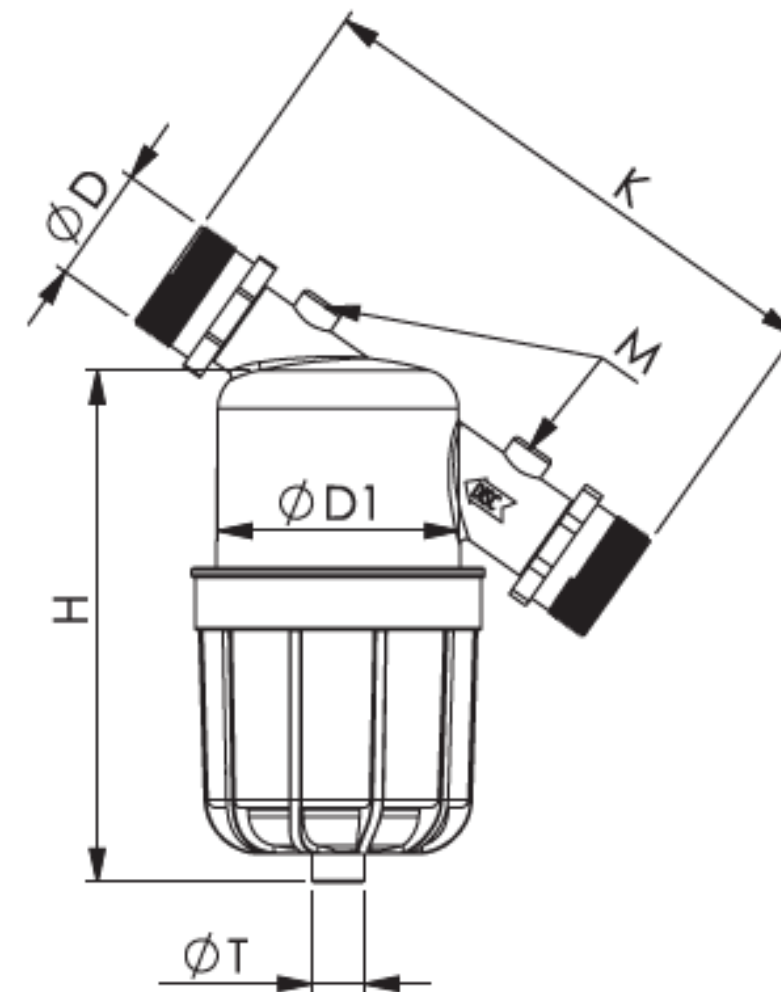
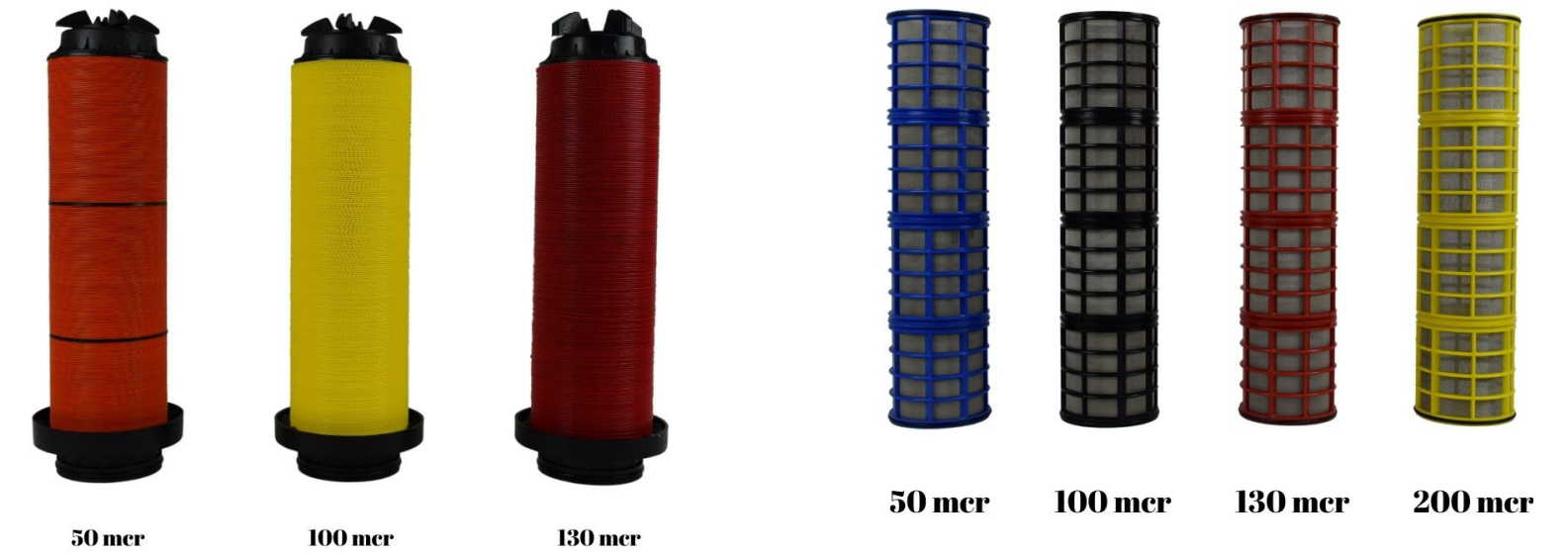
### GENERAL CHARACTERISTICS

Body Material: S195T / SS 316L / SS 304 L  
 Screen Material: SS 304L , PA6GFR30  
 Maximum Working Pressure: 10 Bar (145 PSI)  
 Minimum Working Pressure: 1 Bar (15 PSI)  
 Maximum Working Temperature: 60 °C (140 °F)  
 Back Flush Operation Criteria: Pressure Differential  
 Back Flush Controlling Unit: Semi Automatic Control  
 Filtration Degree: 20-2000 micron (μ)  
 Painting Method: Electrostratic Powder Coating  
 Painting Material: Epoxy Polyester

### Working principle

The water flows through the inlet and reaches to the fine screen (1) which is covered and protected by a coarse screen (3) made of rough material. Here, the dirt particles are trapped inside the fine screen while the filtered water flows through the outlet. (2) Trapped dirt particles from the filter cake on the inner surface of the fine screen. In order to clean the filter, open the drainage valve to allow the trapped particles to be flushed away from the system. After, rotating the handle (5) in counter clockwise direction and then clockwise rotation. In this way, the suction nozzles (4) move in a spiral movement along the screen to vacuum up the collected dirt particles from the screen. The captured particles are flushed out the drain. (6) Repeat this process until the inlet and outlet pressures are balanced. Cleaning is done during the filtration process without interrupting the water flow through the filter.

## MINI PLASTIC FILTERS



### GENERAL CHARACTERISTICS

Body Material : PP  
 Cartridge Material: PP (Disc) PA (Screen SS 304 Cage PA )  
 Maximum Working Pressure : 8 Bar (116 PSI)  
 Maximum Working Temperature: 60 °C/ 140 °F  
 Filtration Degree: 50-100-130-200 micron  
 Filter Cartridge: D: Disc Cartridge E: Screen Cartridge  
 Purge: Manual - Automatic

D	M	T	D1	H	K	FLOW	FILTER SURFACE AREA	WEIGHT
inch			mm			m <sup>3</sup> /h	cm <sup>2</sup>	kg
3/4		1/2	68	190	160	5	165	0,3
3/4		1/2	68	190	160	5	185	0,45
1		1/2	68	190	160	6	165	0,3
1		1/2	68	190	160	6	185	0,45
1		1/2	96	230	220	10	300	0,75
1		1/2	96	230	220	10	325	1
1½		1/2	96	230	220	15	300	0,75
1½		1/2	96	230	220	15	325	1
1½	1/4	1/2	120	280	270	20	515	1,2
1½	1/4	1/2	120	280	270	20	550	1,5
2	1/4	1/2	120	280	270	25	515	1,2
2	1/4	1/2	120	280	270	25	550	1,5

\*The rates above are calculated for a filtration degree of 130 microns.  
 \*\*The data is about the filters themselves, excluding the purge valves.

## INDUSTRIAL PLASTIC FILTER - SUPER



50 mcr



100 mcr



130 mcr



50 mcr



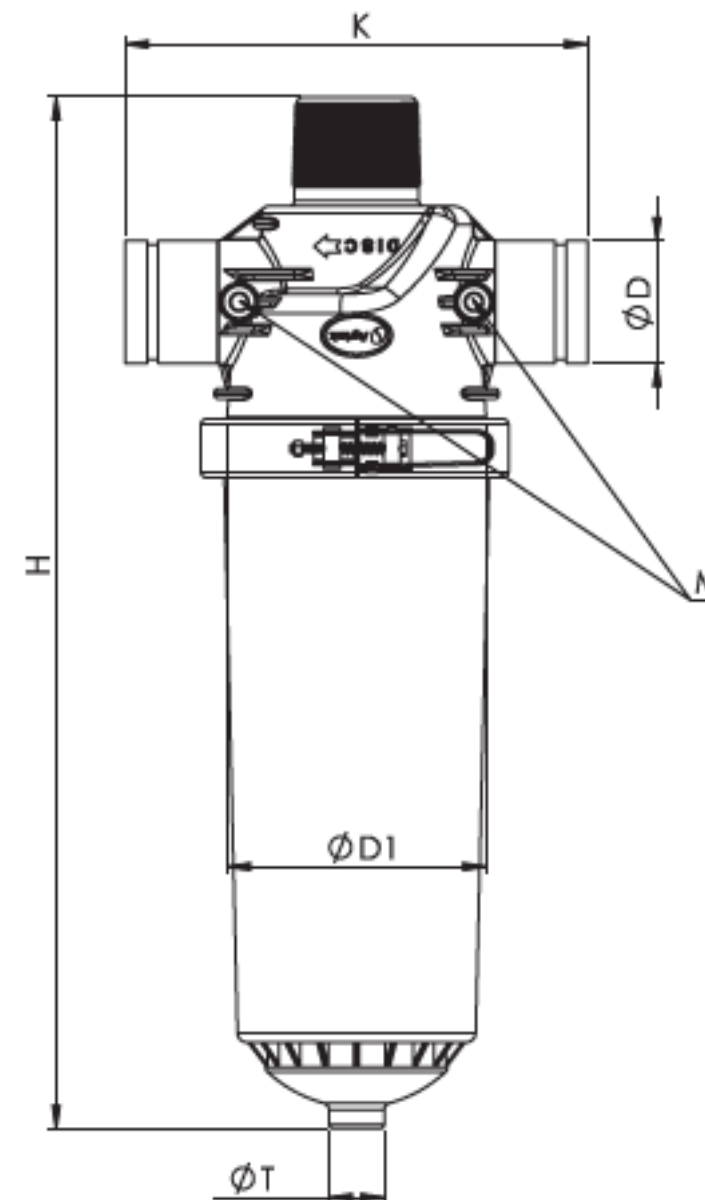
100 mcr



130 mcr



200 mcr



D	M	T	D1	H	K	Flow Rate		Filtration Area	Weight
						m <sup>3</sup> /h	Usgpm		
			mm			cm <sup>2</sup>		kg	
2	1/4	3/4	190	500	335	20	88	760	5,2
2	1/4	3/4	190	500	335	20	88	868	6
2	1/4	3/4	190	600	335	30	132	1302	7
2	1/4	3/4	190	750	335	35	154	1805	8
2½	1/4	3/4	190	600	335	35	154	1302	7,1
2½	1/4	3/4	190	750	335	40	176	1805	8,1
3	1/4	3/4	190	600	335	45	198	1302	7,2
3	1/4	3/4	190	750	335	50	220	1805	8,2
2	1/4	3/4	190	600	335	30	132	1140	5,4
2	1/4	3/4	190	750	335	35	154	1520	6,3
2½	1/4	3/4	190	600	335	35	154	1140	5,5
2½	1/4	3/4	190	750	335	40	176	1520	6,4
3	1/4	3/4	190	600	335	45	198	1140	5,6
3	1/4	3/4	190	750	335	50	220	1520	6,5

\*The rates above are calculated for a filtration degree of 130 microns.

\*\*The data is about the filters themselves, excluding the purge valves.

### GENERAL CHARACTERISTICS

Body Material: PA6GFR30

Body Material: PA6GFR30

Cartridge Material: PP (Disc) PA (Screen SS 304 Cage PA )

Maximum Working Pressure: 8 Bar (116 PSI)

Maximum Working Temperature: 60°C/ 140 °F

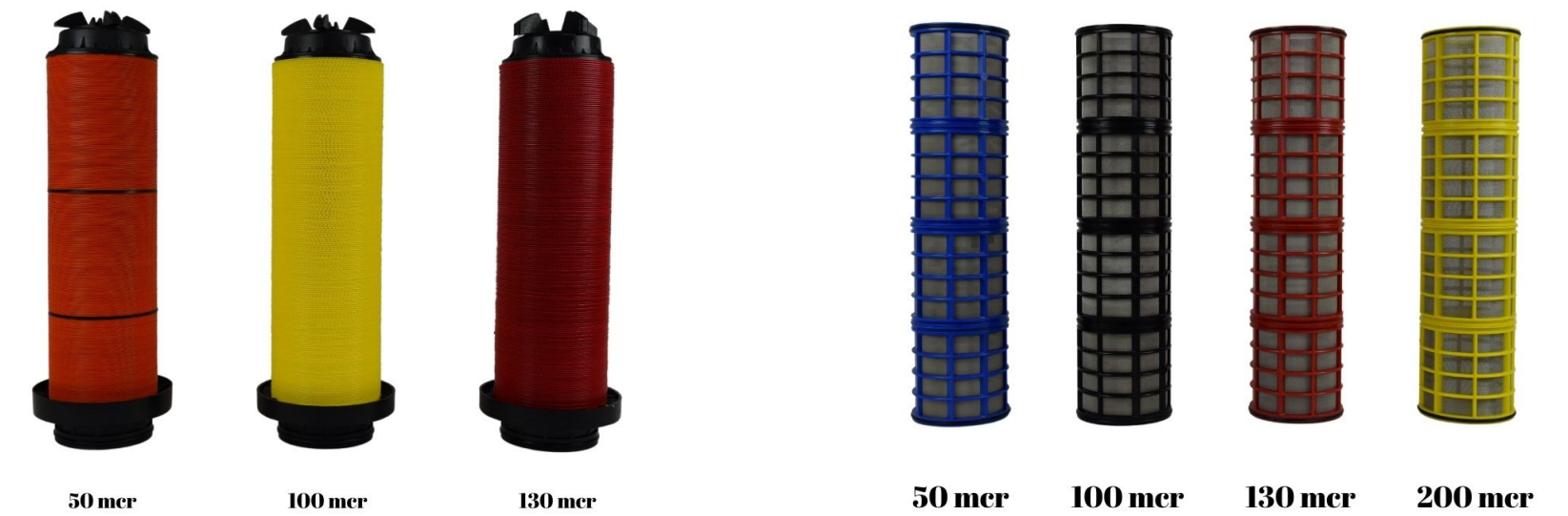
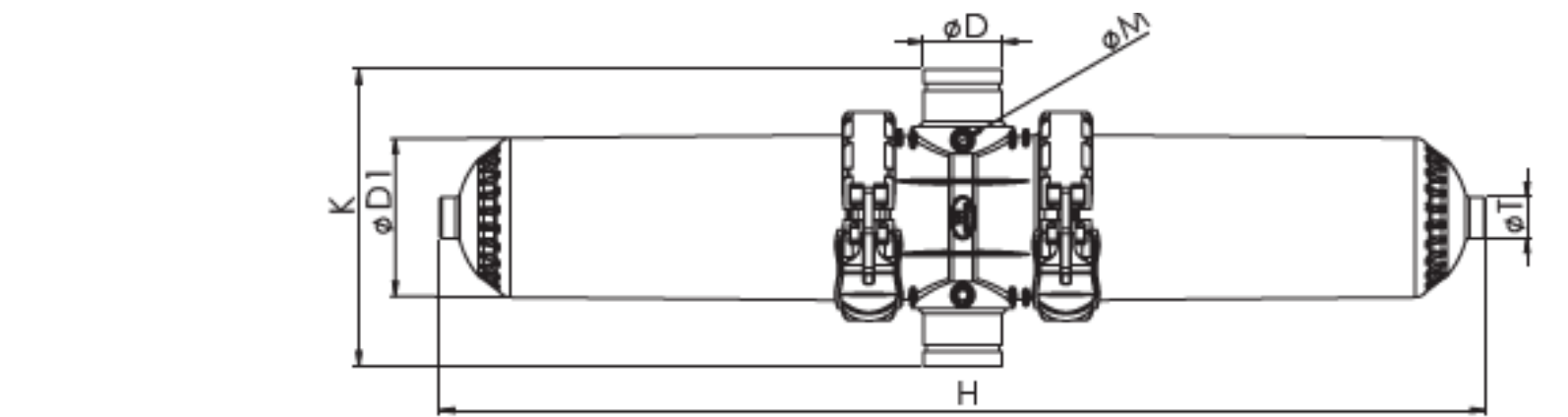
Filtration Degree: 20-50-100-130 Micron

Filter Cartridge: D: Disc Cartridge - E: Screen Cartridge

Purge: Manual - Automatic



**INDUSTRIAL  
FILTER- SUPER  
DOUBLE**



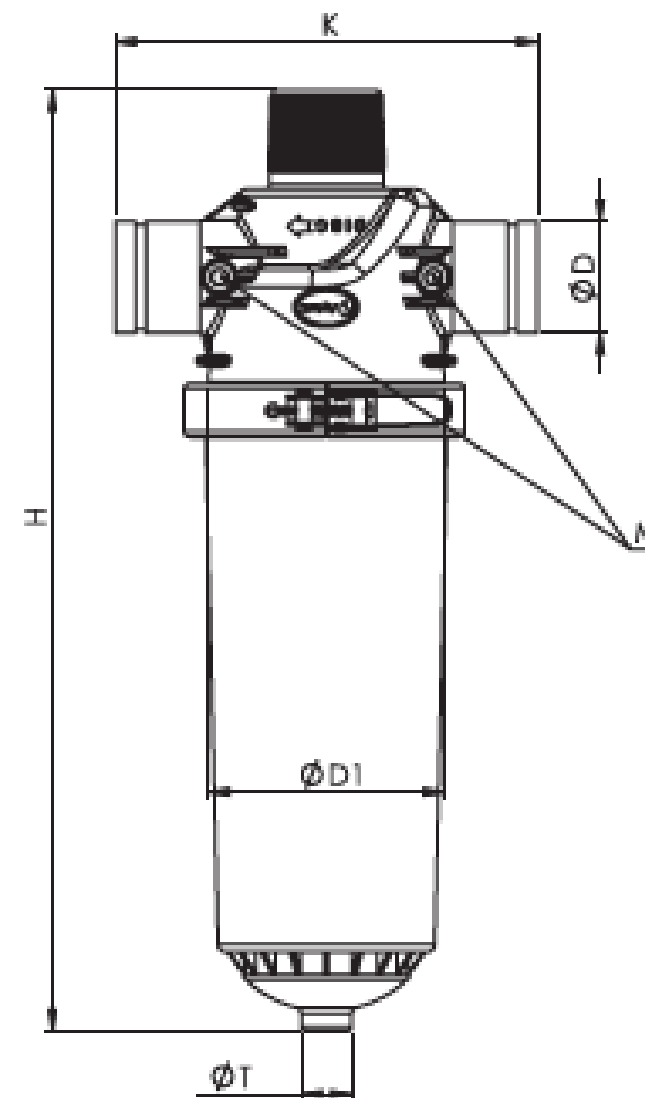
**GENERAL CHARACTERISTICS**

Body Material: PA6GFR30  
 Cartridge Material: PP (Disc) PA (Screen SS 304 Cage PA )  
 Maximum Working Pressure: 8 Bar (116 PSI)  
 Maximum Working Temperature: 60 °C/ 140 °F  
 Filtration Degree: 50-100-130-200 Micron  
 Filter Cartridge: D: Disc Cartridge - E: Screen Cartridge  
 Purge: Manual -Automatic

D	M	T	D1	H	K	Flow Rate		Filtration Area	Weight
						m <sup>3</sup> /h	Usgpm		
inch			mm					cm <sup>2</sup>	kg
3	1/4	3/4	190	960	340	50	220	2604	11,4
4	1/4	3/4	190	960	340	70	308	2604	11,6
3	1/4	3/4	190	1200	340	60	264	3610	13,6
4	1/4	3/4	190	1200	340	80	352	3610	13,8
3	1/4	3/4	190	960	340	50	220	2280	8,4
4	1/4	3/4	190	960	340	70	308	2280	8,6
3	1/4	3/4	190	1200	340	60	264	3040	9,8
4	1/4	3/4	190	1200	340	80	352	3040	10

\*The rates above are calculated for a filtration degree of 130 microns.  
 \*\*The data is about the filters themselves, excluding the purge valves.

**PLASTIC  
AUTOMATIC  
SELF CLEANING  
DISC FILTER**



D	M	T	D1	H	K	Flow Rate		Filter Surface Area	Weight
						m <sup>3</sup> /h	Usgpm		
2	1/4	3/4	190	750	335	20	88	1550	9,6
3	1/4	3/4	190	750	335	25	110	1550	9,8

\*The rates above are calculated for a filtration degree of 130 microns.

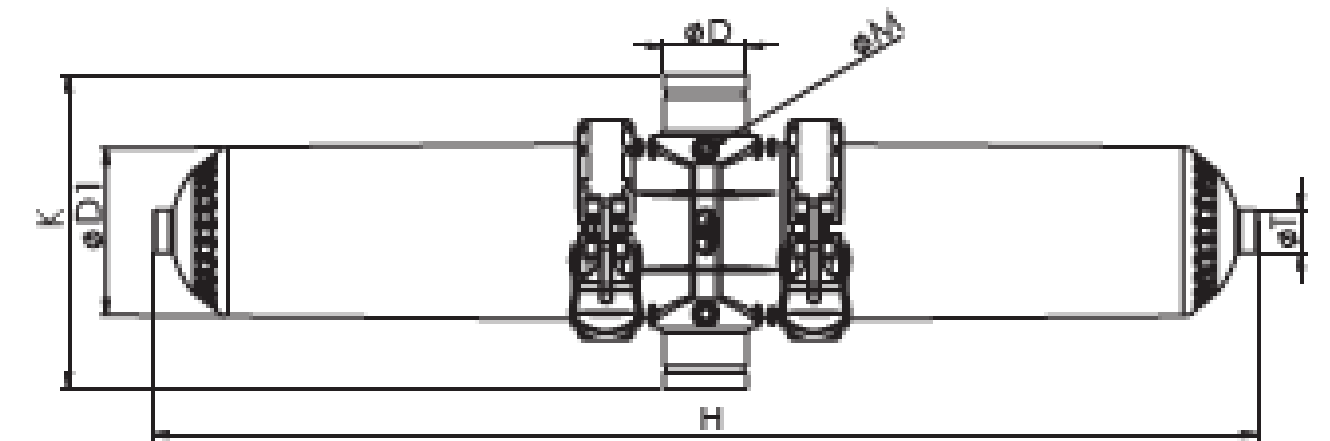
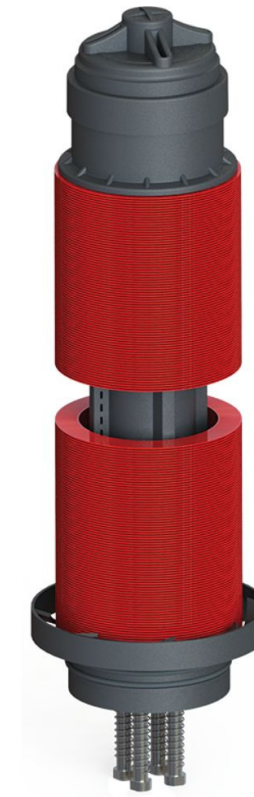
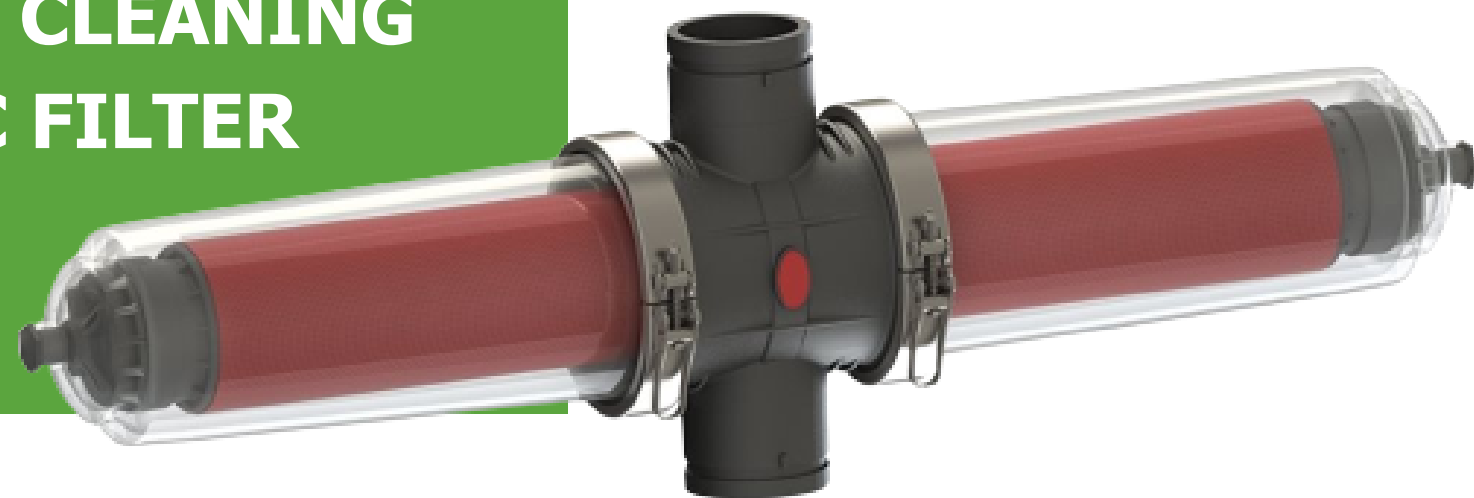
**GENERAL CHARACTERISTICS**

- Body material: PA6GFR30 plastic
- Closing ring: metal
- Cartridge: PP (disc)
- Maximum working pressure: 8 bar
- Minimum working pressure: 2 bar
- Maximum working temperature: 60°C
- Back flush operation criteria: time and / or pressure differential
- Back flush controlling unit: electronic (AC/DC) control
- Filtration degree: 50-100-130-200 microns

**WORKING PRINCIPLE**

Back flush operation starts by sensing a predefined pressure differential and changing water flow direction by a 3 way valve. The high downstream pressure accumulated by the water which has flow direction changed while its passing from inside to outside of the filter will overcome the suppression force which presses discs down and releases discs. Water direction also moves tangentially to discs and by that the discs start a circular movement and particles which stick on the surface will be removed and discharged.

**DOUBLE  
PLASTIC  
AUTOMATIC  
SELF CLEANING  
DISC FILTER**



D	M	T	D1	H	K	Flow Rate		Filter Surface Area	Weight
						m <sup>3</sup> /h	Usgpm		
inch			mm					cm <sup>2</sup>	kg
3	1/4	3/4	190	1200	365	50	220	3100	16,5
4	1/4	3/4	190	1200	365	60	264	3100	16,8

\*The rates above are calculated for a filtration degree of 130 microns.

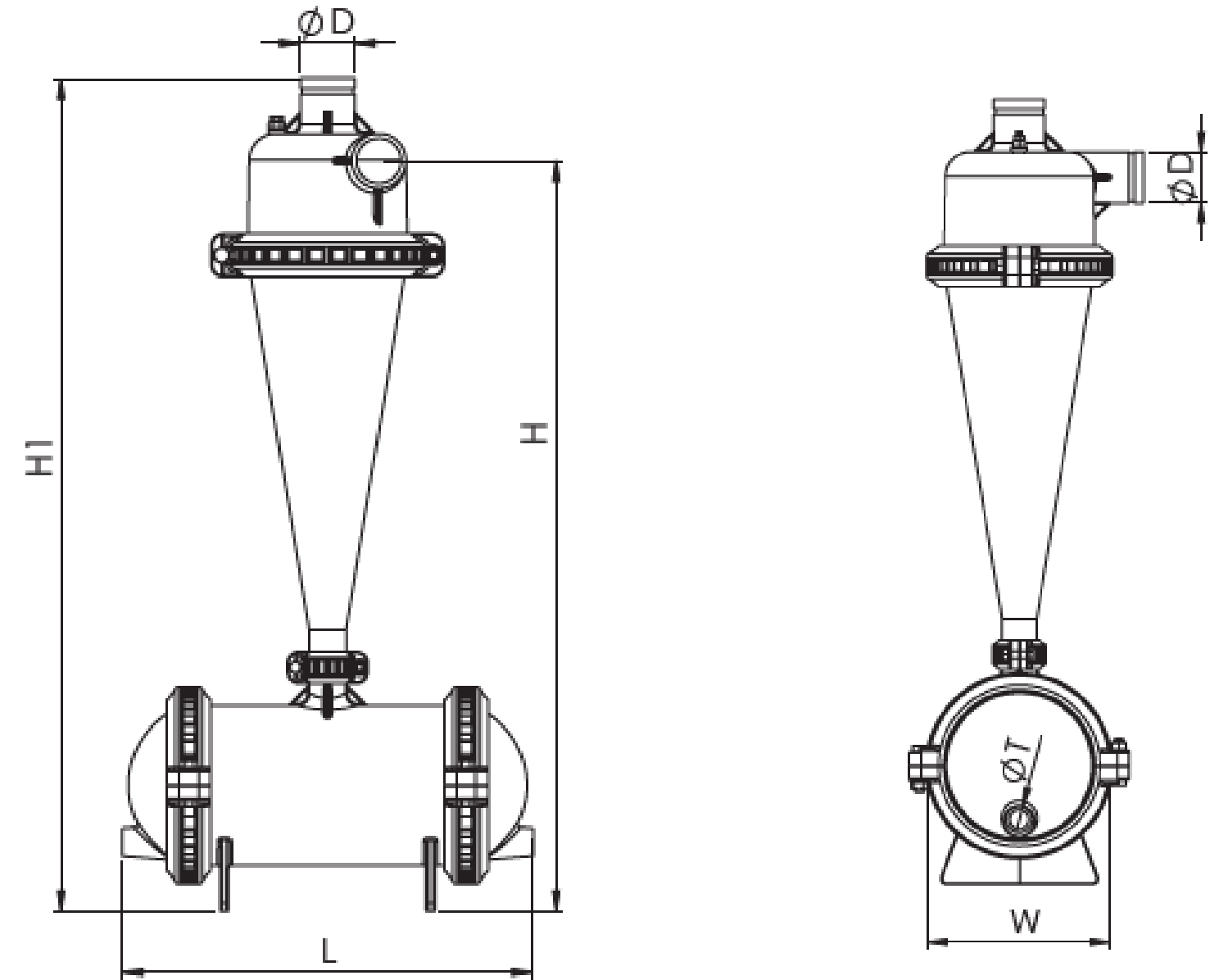
**WORKING PRINCIPLE**

Back flush operation starts by sensing a predefined pressure differential and changing water flow direction by a 3 way valve. The high downstream pressure accumulated by the water which has flow direction changed while its passing from inside to outside of the filter will overcome the suppression force which presses discs down and releases discs. Water direction also moves tangentially to discs and by that the discs start a circular movement and particles which stick on the surface will be removed and discharged.

**GENERAL CHARACTERISTICS**

- Body Material: PA6GFR30
- Cartridge Material: PP (Disc)
- Maximum Working Pressure: 8 Bar (116 PSI)
- Minimum Working Pressure: 2 Bar (29 PSI)
- Maximum Working Temperature: 60 °C/ 140 °F
- Back Flush Operation Criteria: Time And / Or Pressure Differential
- Back Flush Controlling Unit: Electronic (AC/DC) Control
- Filtration Degree: 20-50-100-130 Micron
- Filter Cartridge: D: Disc Cartridge

**PLASTIC  
HYDROCYCLONE**



D	T	H	H1	L	W	Flow Rate		Weight
inch		mm				m <sup>3</sup> /h	Usgpm	kg
2	3/4	1023	1154	580	206	20-30	88-132	9,5
2½	3/4	1035	1154	580	206	30-40	132-176	9,5
3	3/4	1225	1360	670	322	40-60	176-264	19

\*The rates above are calculated for a filtration degree of 130 microns.

\*The data is about the filters themselves, excluding the purge valves.

**GENERAL CHARACTERISTICS**

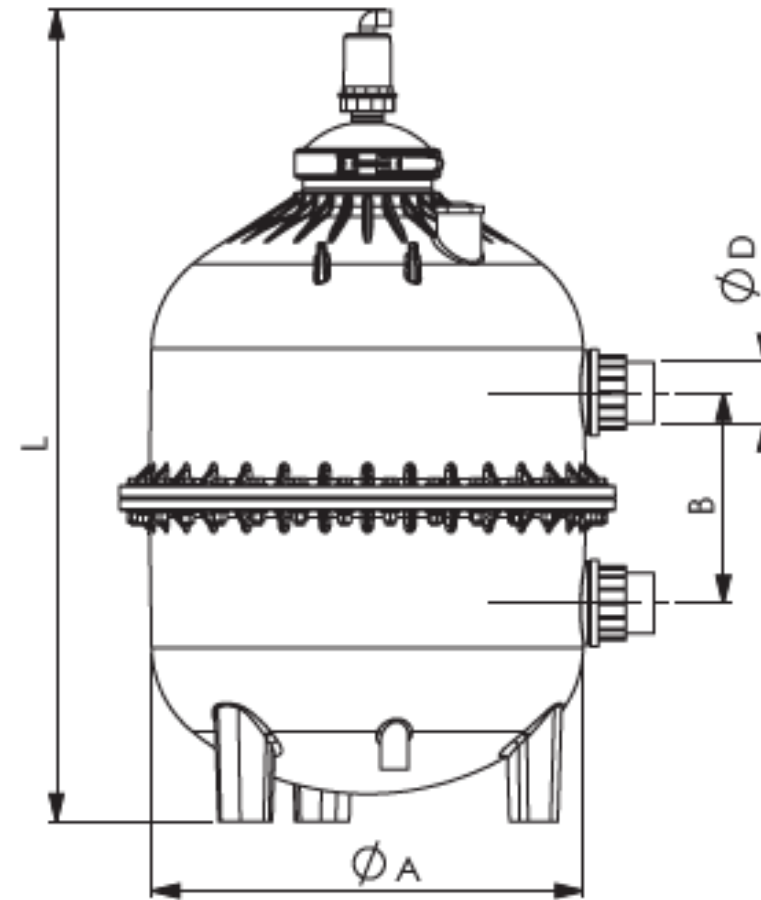
Body Material: PA6GFR30

Maximum Working Pressure: 6 Bar (88 PSI)

Maximum Working Temperature: 60 °C / 140 °F

Purge: Manual - Automatic

**PLASTIC SAND MEDIA FILTER**



A		B		L		D		Flow Rate		Weight	
inch	mm	inch	mm	inch	inch	DN	m <sup>3</sup> /h	Usgpm	kg	lb	
24	300	12	1100	44	2	50	20	88	43	94,8	
24	300	12	1100	44	2½	65	25	110	43,2	95,2	
24	300	12	1100	44	3	80	30	132	43,5	95,9	

**Working principle**

Sand Media Filtration systems are designed to filter organic materials and particles which may come from water sources in micro irrigation systems.

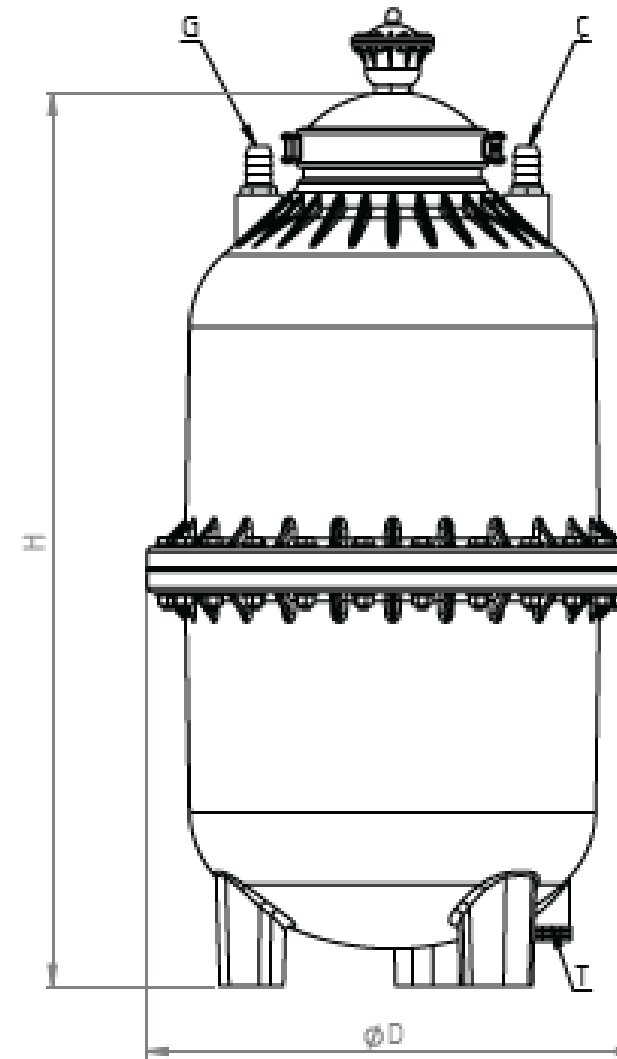
Sand Media Filter systems are applicable for open water sources such as river, lake and dam to eliminate organic matters like algae for agricultural usage. Sand Media Filters are also the most commonly used filters for water treatment and sludge filtration in industrial areas as well.

- Easy to use and low maintenance requirement.
- Single and array design possibilities.
- Easy to handle and non-corrosive structure.

**GENERAL CHARACTERISTICS**

- Body Material: PA6GFR30
- Maximum Working Pressure: 6 Bar (88 PSI)
- Maximum Working Temperature: 60° C/ 140 °F
- Maximum Sand Capacity: 200 kg

**PLASTIC  
FERTILIZER TANK**



D	G	Ç	T	H		CAPACITY		WEIGHT	
				mm	inch	lt	Us Gal	kg	lb
21	1	1	3/4	965	38,6	100	26	24	52,9
28	1	1	3/4	1050	42	200	52	36	79,4

**Working principle**

In both drip and sprinkler irrigation, the application period of fertilizing shall be between 77-80% of the irrigation period. The rest of the time, the fertilizer inside of the line shall be drained outside the system.

The fertilizing tank shall be mounted to the main line with the two pipes that have valves on it. First pipe shall be mounted to the inlet, and the other one shall be mounted to the outlet. In order to maintain the necessary pressure, there shall be a valve on the main pipe between these two points.

For the fertilization process, the necessary amount of the granules or powder fertilizer will be put inside of the tank. The caps of the tank will be closed. Just after that the big valve shall be reduced a little, and fertilizing valves shall be opened. After this process, water shall be maintained to the line until there is no liquid in the pipes.

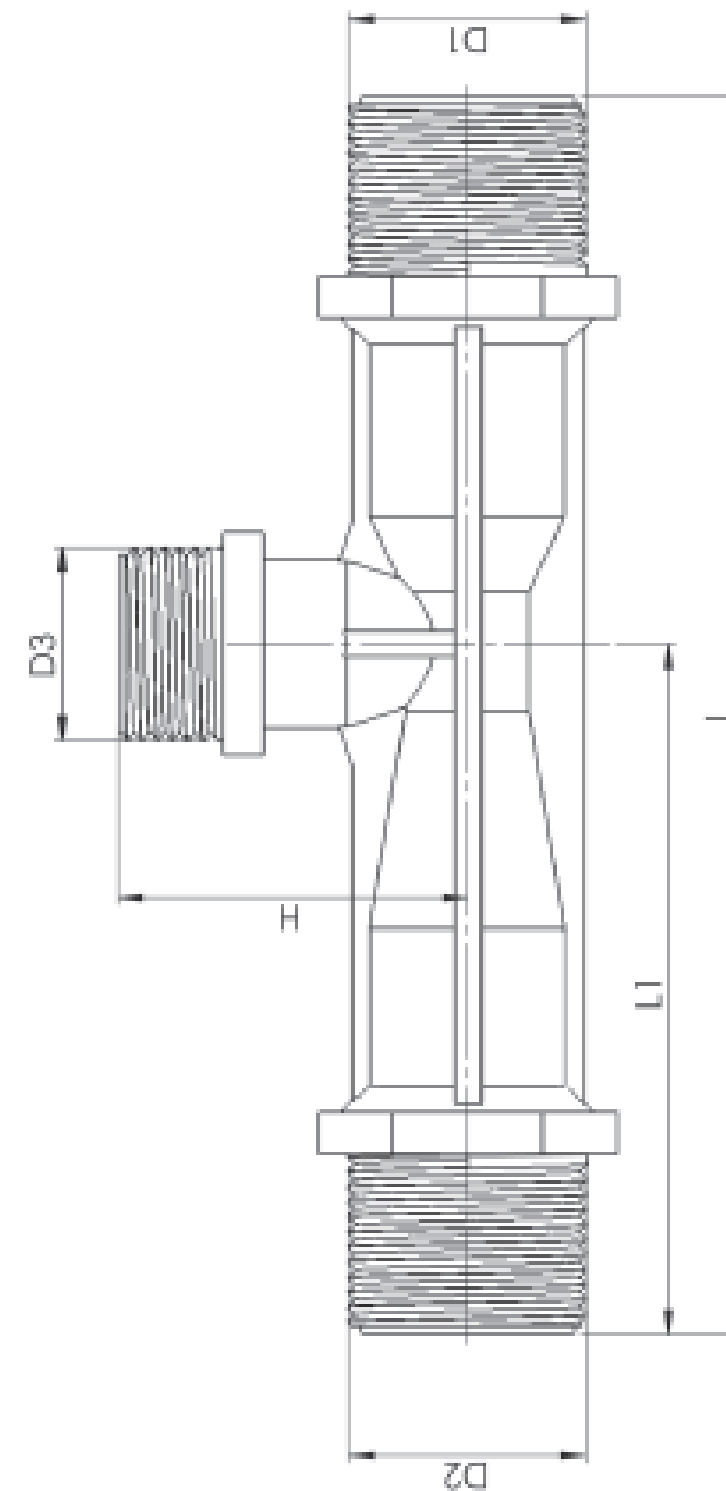
**GENERAL CHARACTERISTICS**

Body Material: PA6GFR30

Maximum Working Pressure: 6 Bar (88 PSI)

Maximum Working Temperature: 60 °C/ 140 °F

## PLASTIC VENTURI

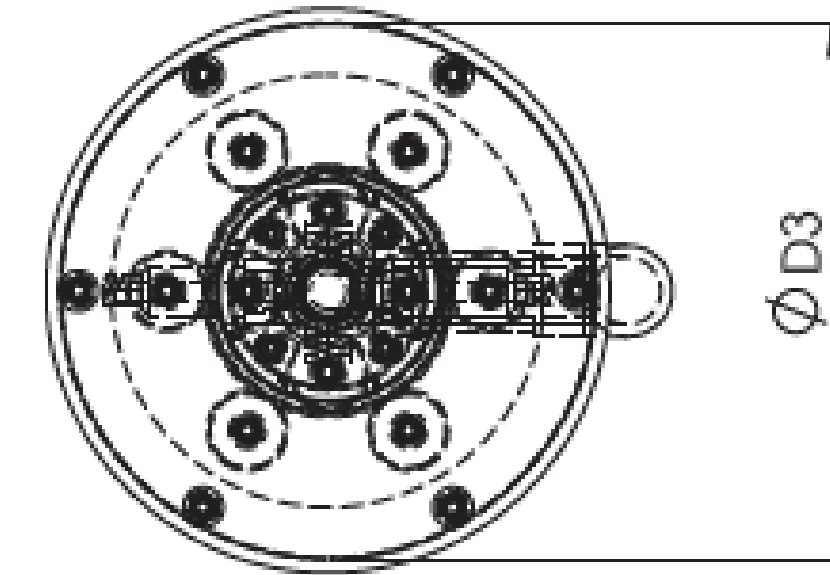
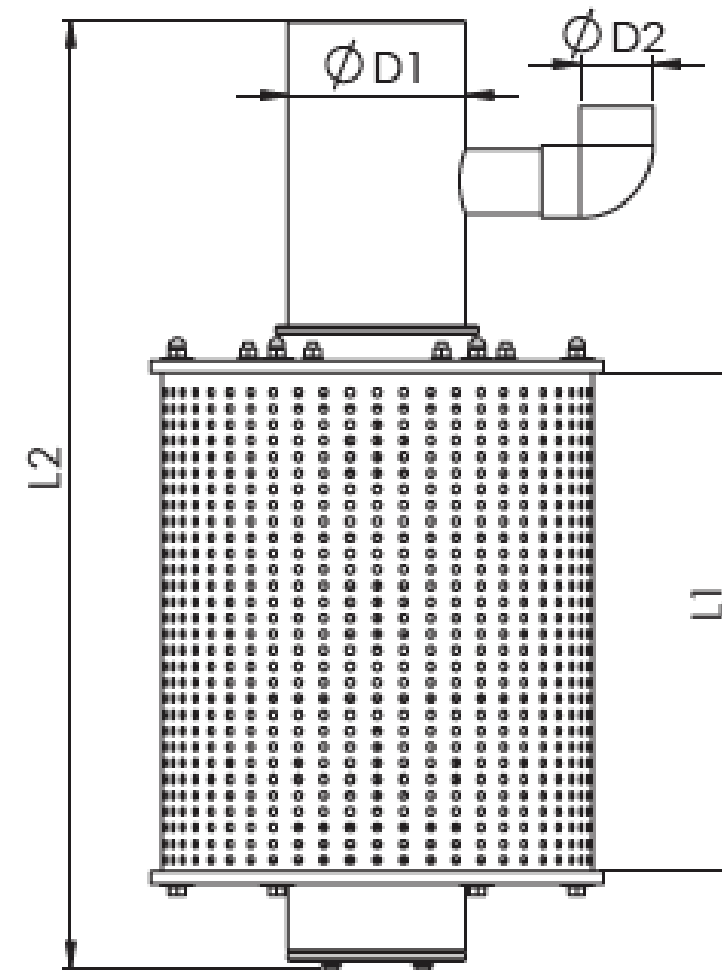


D1	D2	D3	L	L1	H	WEIGHT
inch			mm			kg
3/4	3/4	1/2	169	95	48	0,24
1	1	3/4	166,5	92,5	48	0,27
1½	1½	3/4	280	167	50	0,49
2	2	1	301	180	60	0,67

### INJECTOR PERFORMANCE TABLE

P in (Bar)	P out (Bar)	3/4"		1"		1 1/2"		2"	
		"Injection Flow (l/min)"	"Aspiration Flow (l/h)"	"Injection Flow (l/min)"	"Aspiration Flow (l/h)"	"Injection Flow (l/min)"	"Aspiration Flow (l/h)"	"Injection Flow (l/min)"	"Aspiration Flow (l/h)"
0.5	0	9	400	41	480	54	655	146	1000
0.75	0	11	440	47	500	70	900	174	1075
1	0	13	420	50	514	81	1029	204	1200
	0.25	13	420	50	514	73	1029	202	1200
	0.5	13	360	47	480	73	800	200	1040
1.5	0	15	400	57	514	94	1029	238	1200
	0.5	15	400	57	514	94	1029	236	1075
	0.75	15	300	53	480	90	900	242	1075
	1	15	103	53	340	85	655	213	889
2	0	18	380	64	514	105	1029	268	1200
	0.5	18	380	64	514	105	1029	268	1200
	0.75	18	380	64	514	105	1029	268	1200
	1	18	200	64	514	105	1029	268	1040
	1.25	18	100	61	400	105	800	255	1000
2.5	1.5	18	100	60	120	105	232	238	1200
	0	20	360	70	500	116	1029	285	1200
	0.5	20	360	70	500	116	1029	285	1200
	0.75	20	360	70	500	116	1029	285	1200
	1	20	360	70	500	116	1029	285	1200
	1.25	20	360	69	480	116	1029	281	1200
	1.5	20	200	69	480	112	900	281	1040
	1.75	20	200	66	343	109	800	272	527
2	20	200	65	120	109	277	293	889	
3	2.5	20	200	65	120	109	277	293	527
	0	21	330	75	500	126	1029	319	1200
	1	21	330	75	500	126	1029	315	1200
	1.25	21	330	75	450	126	1029	315	1200
	1.5	21	330	75	450	126	1029	315	1125
	1.75	21	330	75	450	125	800	306	1125
	2	21	200	75	400	119	655	302	1000
	2.25	21	200	73	200	117	277	293	889
2.5	21	200	73	200	117	277	293	889	
3.5	2.5	21	200	73	200	117	277	293	889
	0	22	300	81	480	135	1029	344	1200
	1	22	300	81	480	135	1029	344	1200
	1.5	22	300	81	480	135	1029	344	1200
	1.75	22	300	81	480	135	1029	344	1200
	2	22	300	81	480	135	1029	340	1200
	2.25	22	240	79	400	130	800	332	1125
	2.5	22	100	79	340	128	655	319	889
2.75	22	100	78	200	125	277	293	889	
4	2.75	22	100	78	200	125	277	293	889
	0	24	280	85	480	143	1029	366	1200
	1	24	280	85	480	143	1029	366	1200
	2	24	280	85	480	143	1029	357	1200
	2.25	24	280	85	480	141	1029	357	1200
	2.5	24	240	85	480	140	1029	357	1200
	2.75	24	180	85	400	138	655	349	1125
	3	24	100	83	300	135	277	340	527
3.25	24	100	81	120	120	277	293	527	

## SELF CLEANING STRAINERS



D1	D2	D3	L1	L2	Q1	Q2	M
OUTLET (Inch)	Drain (Inch)	Cylinder (Inch)	Length (Inch)	Overall Length (Inch)	Main Flow Rate (m <sup>3</sup> /h)	Drain Flow Rate (m <sup>3</sup> /h)	Mass (kg)
4	1	12	12	30,5	91	0,8	13,8
6	1 1/2	16	16	39	165	1,8	26
8	2	20	20	47,5	330	3,6	44,6

### GENERAL CHARACTERISTICS

Body material: PVC

Minimum required back flush pressure: 3 bar

Maximum working temperature: 60°C

Screen filtration degree: 2,4 mm

Screen material: SS304L

Accessories for 6" Outlet: 8" to 6" reducer

Connections fittings: provided

### Working principle

Suction filters are filters that automatically clean the pollution inside the filter due to their working principles. These filters work thanks to the movement of water and the pollution accumulated on the filter material is thrown out thanks to the pressure of the water. Thus, the filter always remains clean and the required maintenance frequency is reduced.



mirri<sup>g</sup>ri<sup>n</sup>gr<sup>o</sup>o<sup>n</sup>  
the future is

[mirrigreen.com](http://mirrigreen.com)

