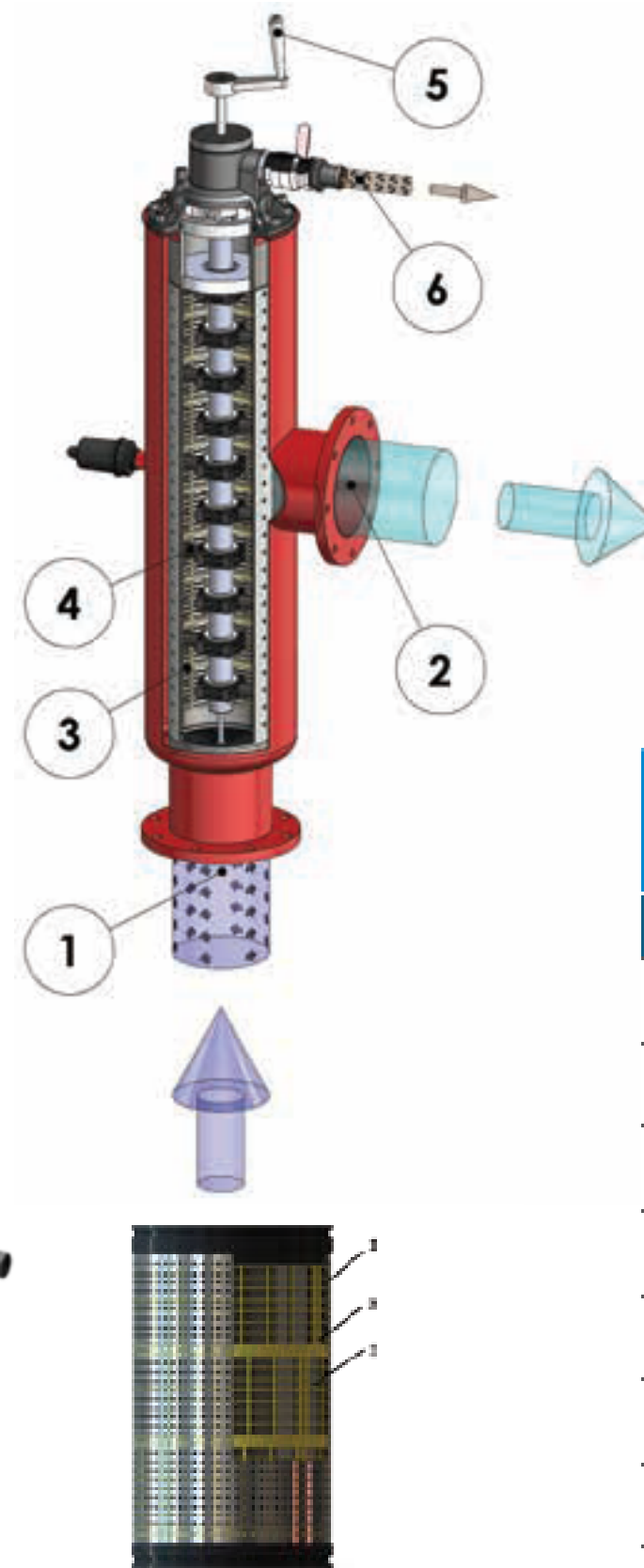
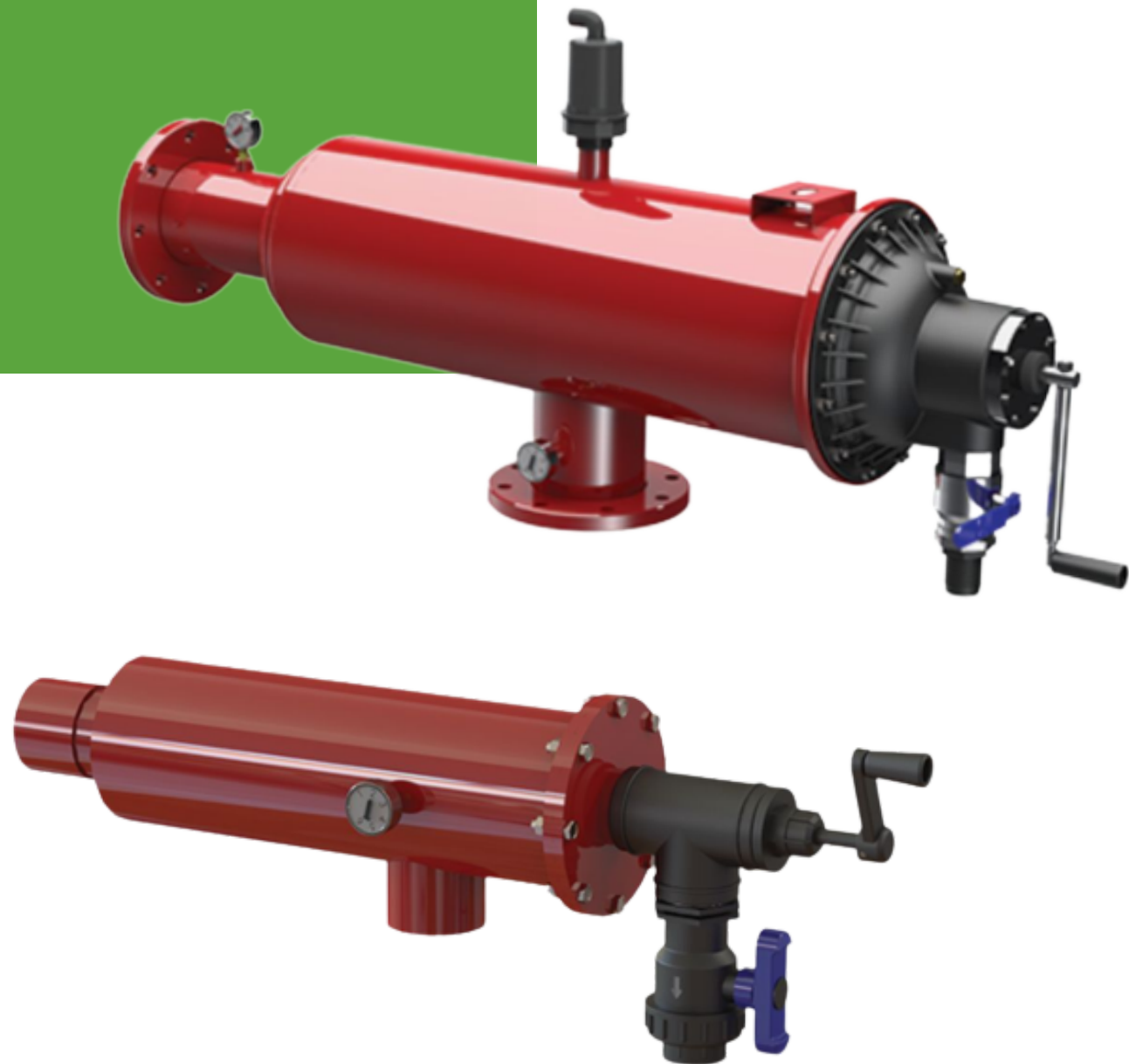
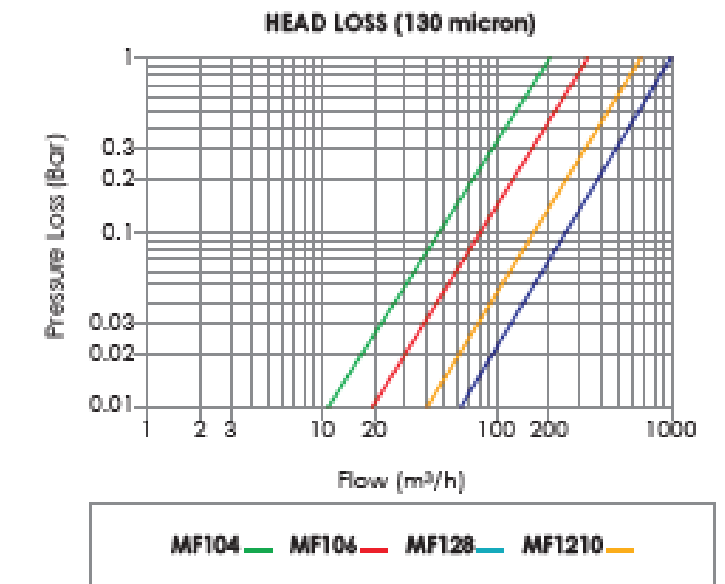
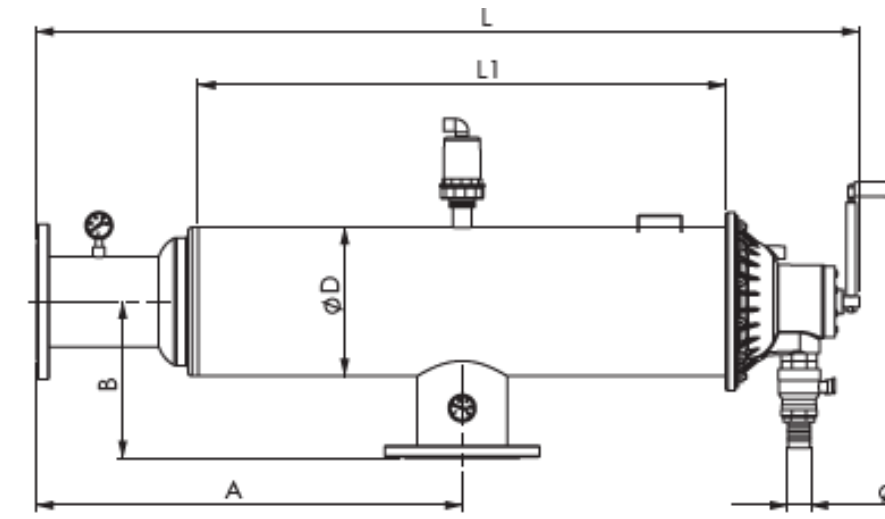


SEMI-AUTOMATIC SCREEN FILTER



1 - Protector coarse screen SS304L
2 - Molded plastic rib (PA6)
3 - The main filtering screen



Inlet/Outlet		A	B	L1	L	D	F	Drain Flow Rate		Main Flow Rate		Filtration Area
inch	DN	mm				inch		L/S	Usgpm	m³/h	Usgpm	cm²
2	50	320	145	400	750	6	1 1/2	2,5	40	30	132	1140
2½	65	320	145	400	750	6	1 1/2	2,5	40	35	154	1140
3	80	450	145	515	880	6	1 1/2	3,3	52	45	198	1520
4	100	585	180	635	1005	8	1 1/2	4,2	66	70	308	1900
5	125	680	287	770	1315	10	2	5,0	79	150	660	3951
6	150	780	287	970	1515	10	2	6,7	105	180	792	5268
6	150	985	312	1385	1930	12	2	10,0	158	220	968	7902
8	200	870	312	1150	1695	12	2	8,3	132	320	1408	6585
8	200	985	312	1385	1930	12	2	10,0	158	340	1496	7902

Working principle

The water flows through the inlet and reaches to the fine screen (1) which is covered and protected by a coarse screen (3) made of rough material. Here, the dirt particles are trapped inside the fine screen while the filtered water flows through the outlet. (2) Trapped dirt particles from the filter cake on the inner surface of the fine screen. In order to clean the filter, open the drainage valve to allow the trapped particles to be flushed away from the system. After, rotating the handle (5) in counter clockwise direction and then clockwise rotation. In this way, the suction nozzles (4) move in a spiral movement along the screen to vacuum up the collected dirt particles from the screen. The captured particles are flushed out the drain. (6) Repeat this process until the inlet and outlet pressures are balanced. Cleaning is done during the filtration process without interrupting the water flow through the filter.

GENERAL CHARACTERISTICS

Body Material: S195T / SS 316L / SS 304 L
Screen Material: SS 304L , PA6GFR30
Maximum Working Pressure: 10 Bar (145 PSI)
Minimum Working Pressure: 1 Bar (15 PSI)
Maximum Working Temperature: 60 °C (140 °F)
Back Flush Operation Criteria: Pressure Differential
Back Flush Controlling Unit: Semi Automatic Control
Filtration Degree: 20-2000 micron (μ)
Painting Method: Electrostratic Powder Coating
Painting Material: Epoxy Polyester