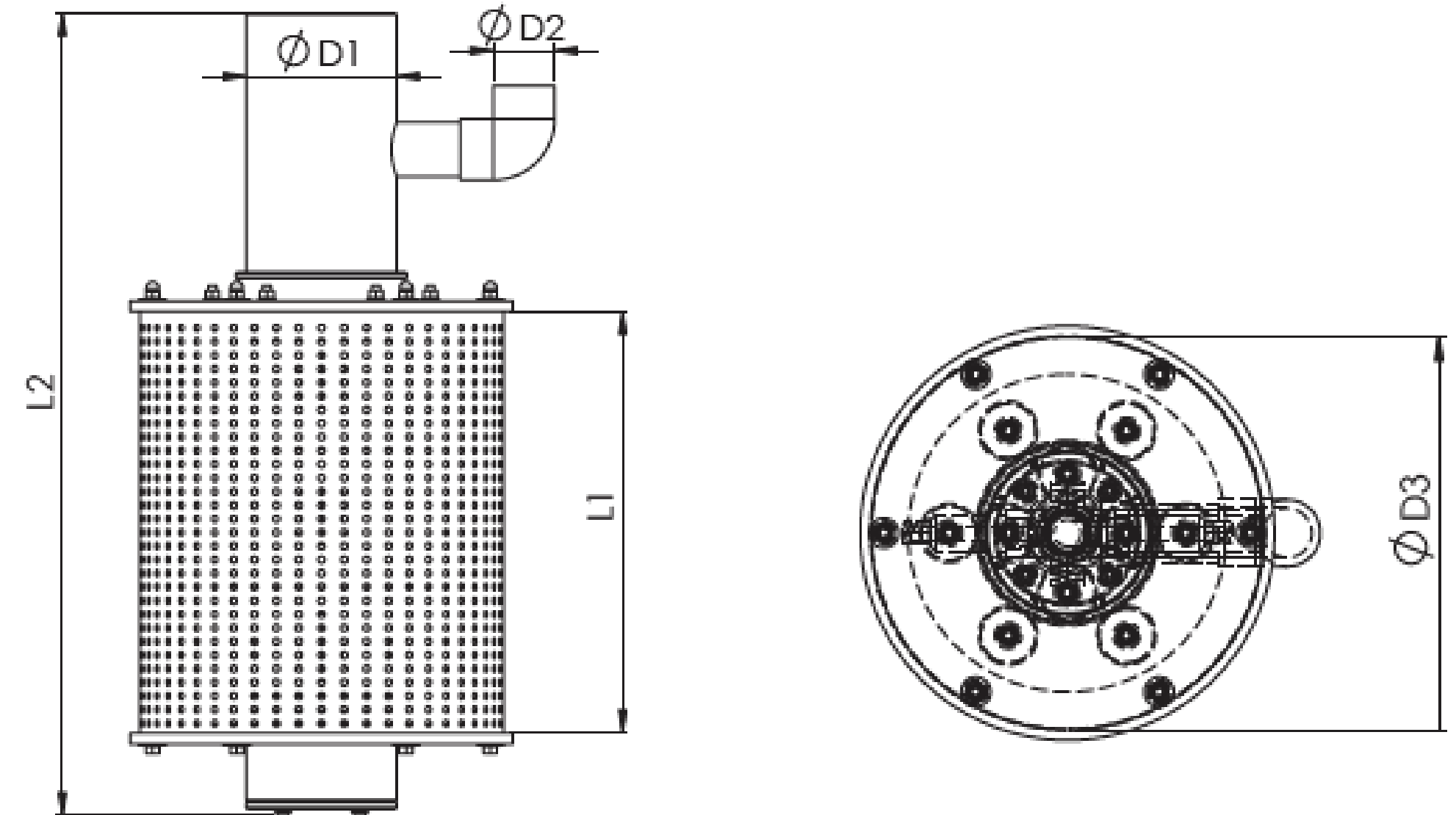


SELF CLEANING STRAINERS



GENERAL CHARACTERISTICS

Body material: PVC
 Minimum required back flush pressure: 3 bar
 Maximum working temperature: 60°C
 Screen filtration degree: 2,4 mm
 Screen material: SS304L
 Accessories for 6" Outlet: 8" to 6" reducer
 Connections fittings: provided

D1	D2	D3	L1	L2	Q1	Q2	M
OUTLET (Inch)	Drain (Inch)	Cylinder (Inch)	Length (Inch)	Overall Length (Inch)	Main Flow Rate (m ³ /h)	Drain Flow Rate (m ³ /h)	Mass (kg)
4	1	12	12	30,5	91	0,8	13,8
6	1 1/2	16	16	39	165	1,8	26
8	2	20	20	47,5	330	3,6	44,6