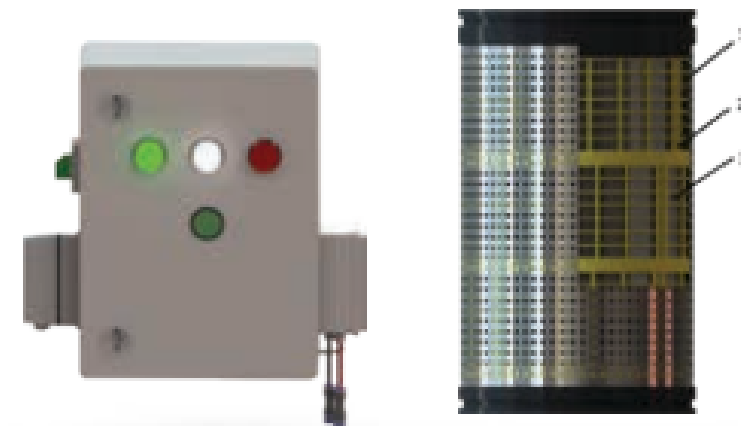
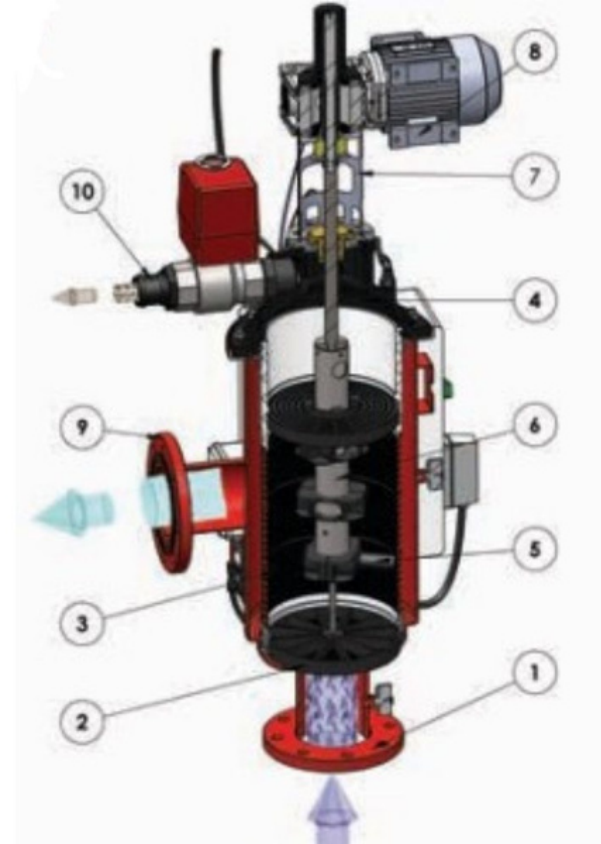
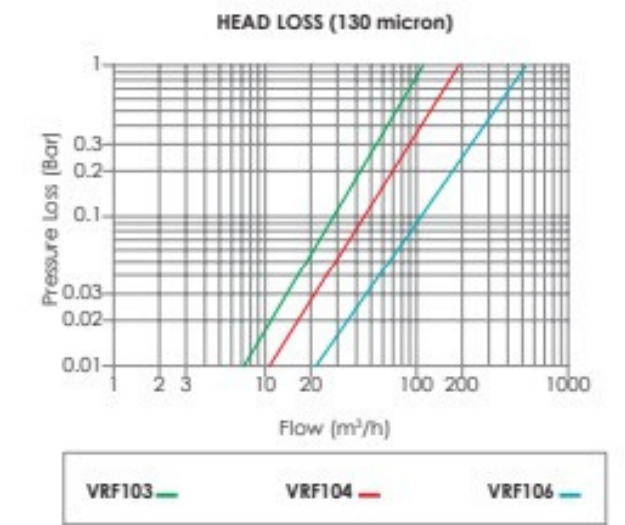
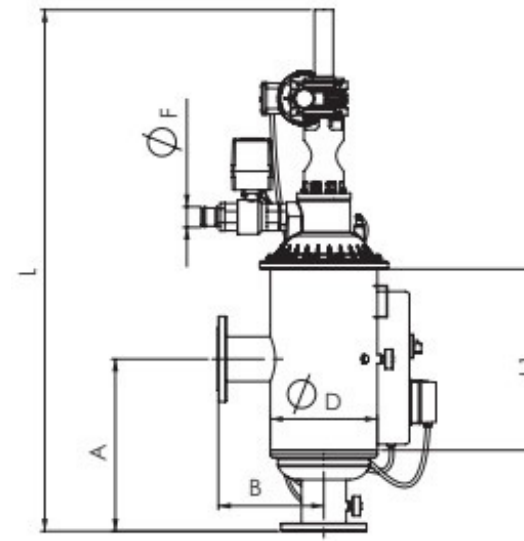
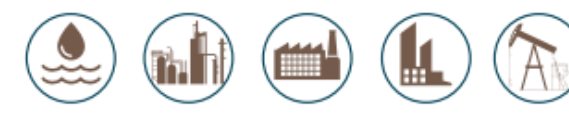


**AUTOMATIC SELF
CLEANING SCREEN
FILTER - MOTOR
REDUCER
VERTICAL**



1 - Protector coarse screen SS304L
2 - Molded plastic rib (PA6)
3 - The main filtering screen



Inlet/Outlet		A	B	L1	L	D	F	Drain Flow Rate		Main Flow Rate		Filtration Area
inch	DN	mm				inch		L/S	gal (US)/min	m³/h	gal (US)/min	cm²
2	50	310	270	240	1110	10	2	1,7	26	30	132	658
2½	65	310	270	240	1110	10	2	1,7	26	40	176	658
2	50	390	270	365	1235	10	2	3,3	53	40	176	1317
2½	65	390	270	365	1235	10	2	3,3	53	50	220	1317
3	80	390	270	365	1235	10	2	3,3	53	55	242	1317
3	80	440	270	465	1335	10	2	5	79	70	308	1975
4	100	440	270	465	1335	10	2	5	79	100	440	1975
4	100	490	270	565	1435	10	2	3,3	53	120	528	2634
5	125	590	287	765	1710	10	2	5	79	150	660	3951
5	125	840	287	1015	1960	10	2	5	79	180	792	5268
6	150	840	287	1015	1960	10	2	5	79	180	792	5268

GENERAL CHARACTERISTICS

Body Material: S195T / SS 316L / SS 304 L
 Screen Material: SS 304L, PA6GFR30
 Maximum Working Pressure: 10 Bar (145 PSI) Minimum Working Pressure: 1 Bar (15 PSI) Maximum Working Temperature : 60 °C (140 °F) Back Flush Operation Criteria: Time and / or Pressure Differential
 Back Flush Controlling Unit : Electronic (AC) Control Filtration Degree: 20-2000 micron (µ) Painting Method: Electrostratic Powder Coating
 Painting Material: Epoxy Polyester

Working principle

The suspensive solid matters available in the dirty water and liquids come into the coarse screen (2) passing through (1) the inlet collector and then into the multi-layer fine screen. The solid matters are kept into the (3) fine screen, the clean water which flows out of the multi-layer screen is served up to use through the (9) outlet collector. At the end of this continuous process, a solid matter layer will form in the multi-layer screen. Hence, a pressure difference is created naturally between the inlet collector and outlet collector. The signals created by this pressure difference vacuum the solid matters which are accumulated on the interior membrane of the multi-layer fine filter by programming via (11) electronic controller. Vacuuming process-electronic: The lid covering the drainage outlet is opened by means of a signal sent to the solenoid valve detecting the pressure by DP in the electronic controller (11). A current is formed towards the atmosphere pressure in the filter following the Solenoid valve (12) opening and controller (10) driving the motor (8), with this vacuum pipe and therefore moving the nozzles with linear and rotary motion, solid matters on the interior membrane of the multi-layer filter are thrown out by vacuuming .